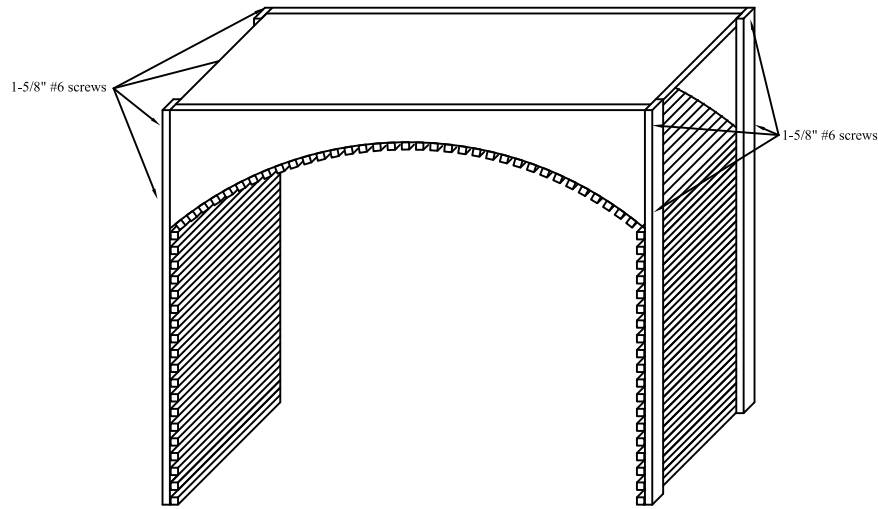


DRARCH

1.

Attach sides to top with (4) 1 5/8" #6 screws per side



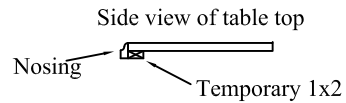
Parts list

- 1 Arch top
- 2 Arch sides
- 1 crown support
- 12 1 5/8" #6 Screws
- 1 screwdriver bit
- 1 bag of nails

2.

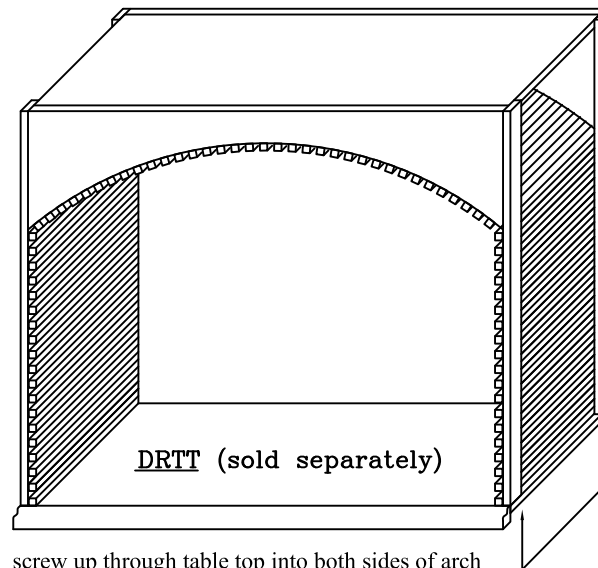
Remove temporary 1x2 from backside of nosing.

DRTT (sold separately)



3.

Secure archway to table top with (2) 1 5/8" #6 screws per side



screw up through table top into both sides of arch  
place arch and table top onto assembled diamond bin

Crown support is to be used only when  
Crown molding is purchased

