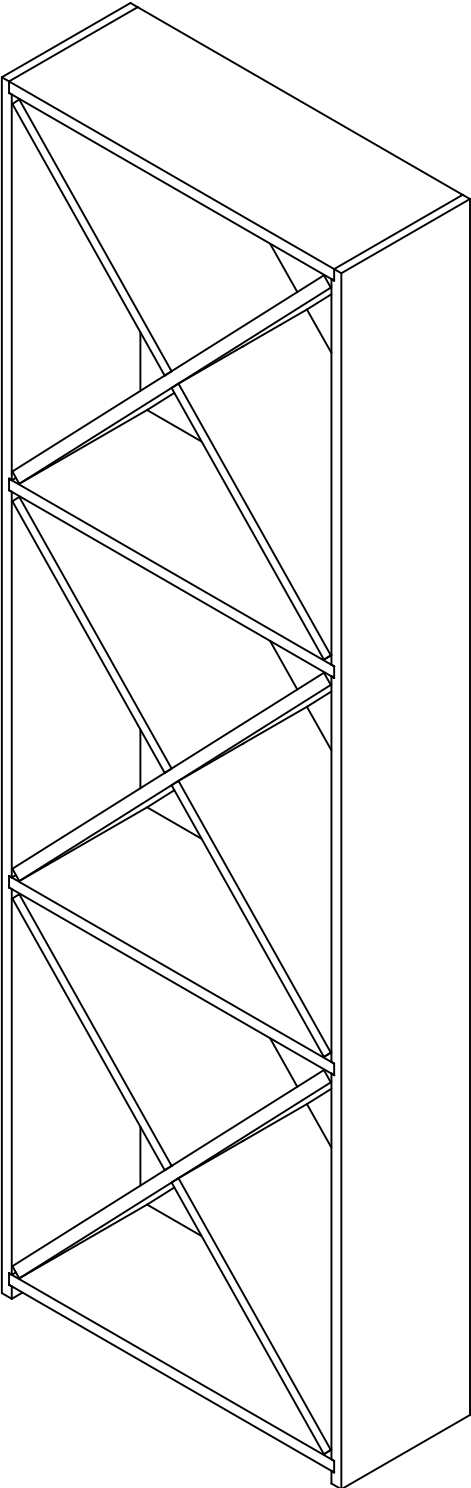


# Traditional & Pine Solid Diamond Cube

Rev: 3/3/11



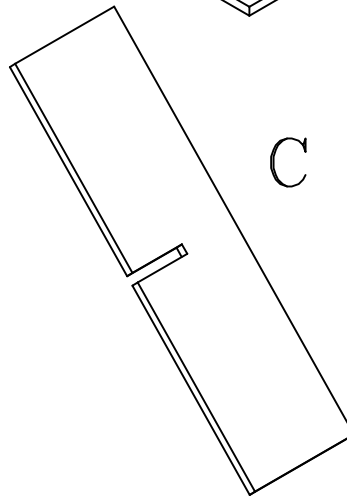
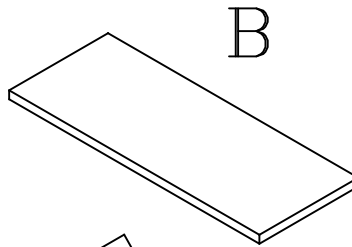
**Wine Cellar Innovations**  
4575 Eastern Avenue  
Cincinnati, Ohio 45226

Phone: (800) 229-9813  
Fax: (513) 979-5280  
[www.winecellarinnovations.com](http://www.winecellarinnovations.com)

## Parts List

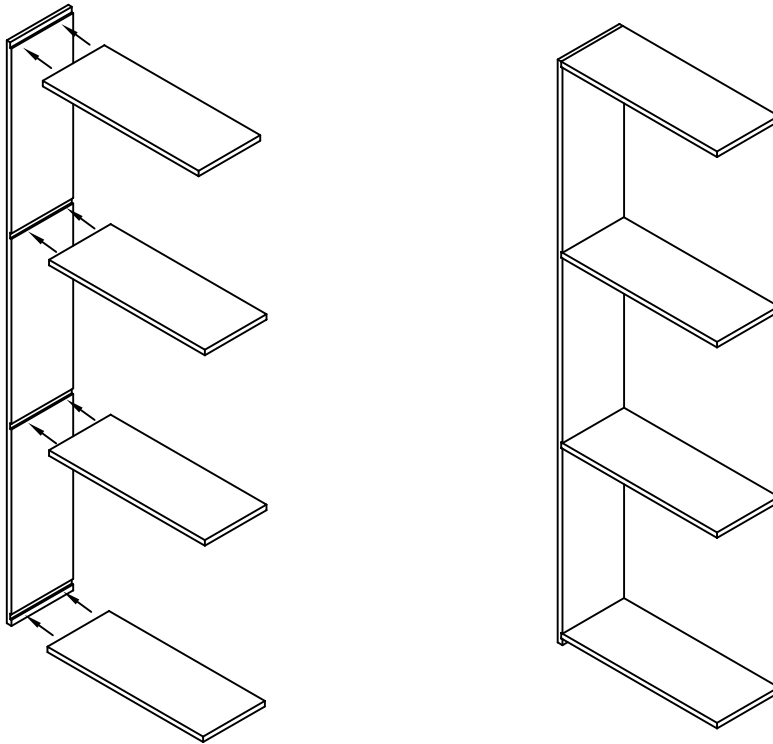
#	Qty.	Description
A:	2	Sides
B:	4	Top/ Bottom/Dividers
C:	6	Interlocks
*	21	1 1/2" #8 Screws
*	1	Hardware Pack containing 2 angle brackets 2 plastic anchors 2 1" #8 screws 2 5/8" #6 screws 1 Bottom support

\*Note: 6 boards make 3 x-interlocks



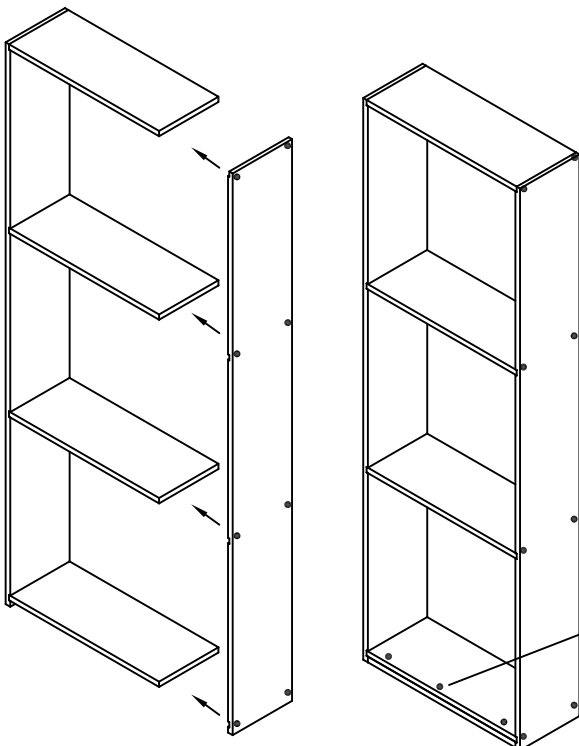
Step 1:

Attach top, bottom, and dividers to 1 side using the screws provided.



Step 2:

Attach remaining side to top, bottom, and dividers using the screws provided.

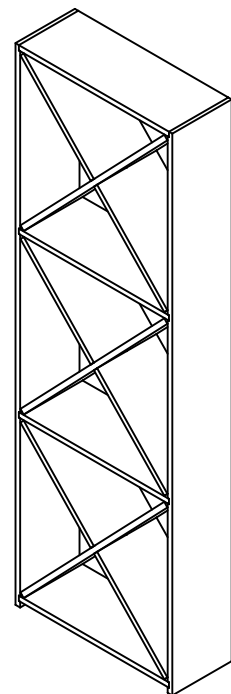


screw through bottom shelf to attach bottom support

Step 3:

Insert interlocks into cube openings.

Note: Interlocks do not need to be attached to sides.

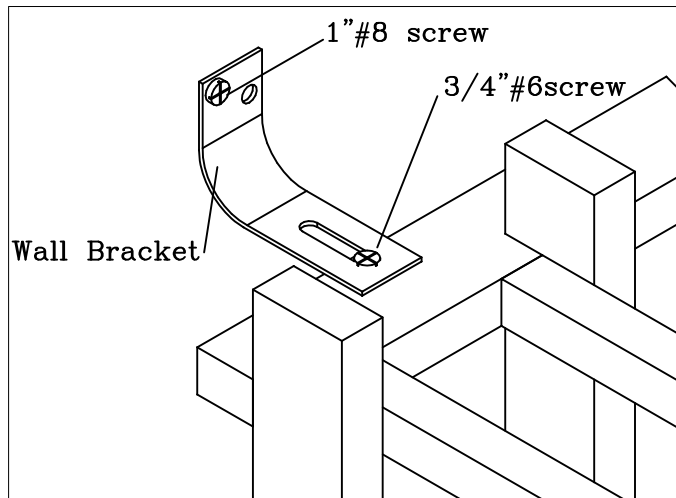


Wine Rack is Complete

Note: Always remove bottles before moving rack.

# Final Step

Securing to wall



Secure rack to wall by attaching wall brackets to top back spacer bar or solid top. You will have 1 bracket on the left and 1 on the right.

Wine Rack is Complete

**Note: Always remove bottles before moving rack.**