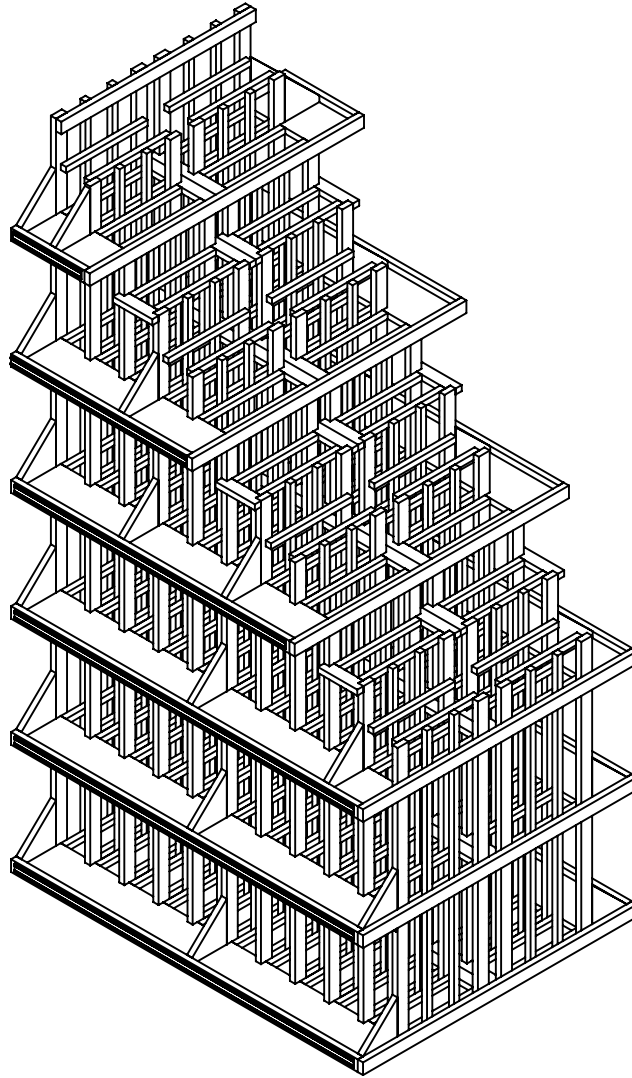


Commercial Display Racking

Waterfall Vertical Bins

Rev: 4/16/10



Thank you for your purchase from Wine Cellar Innovations. In the manufacturing and packaging of your products numerous people have reviewed your order for accuracy and attention to detail. We believe this focus is what has made us the worldwide leader in wine storage products.

When assembling the products, please refer to the instructions provided and follow them closely. Always pre-drill pieces any time a screw will be used as a fastener. Redwood is a soft and beautiful wood species, but will split like all other wood types if placed under unusual stresses. The cellar has been engineered with the weight of the bottles factored into the layout, and will be capable of sustaining loads far greater than this when assembled correctly.

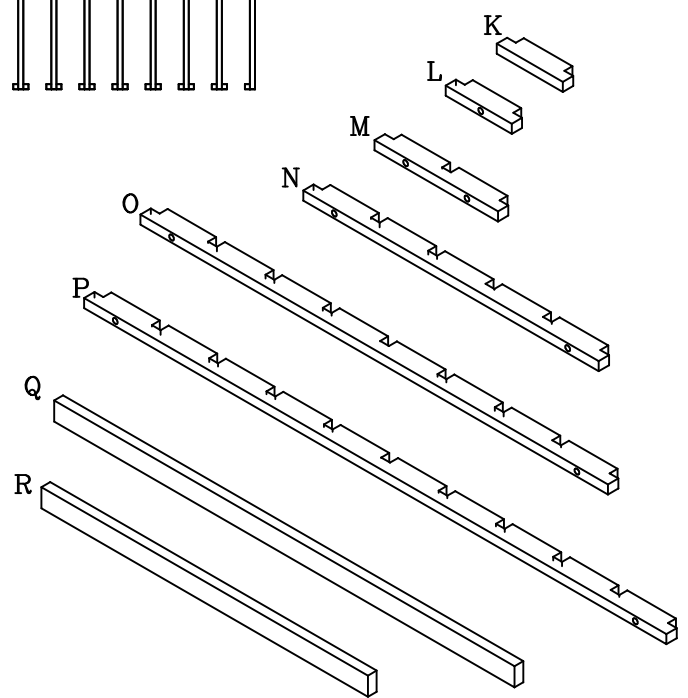
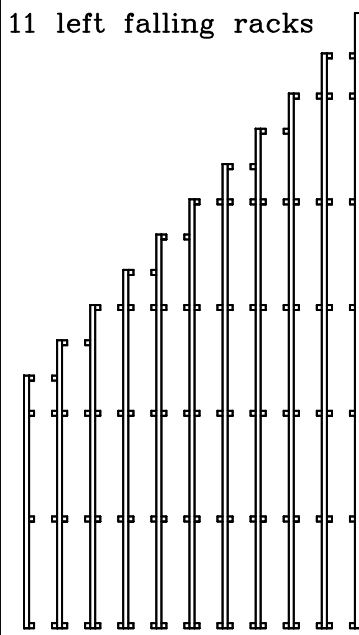
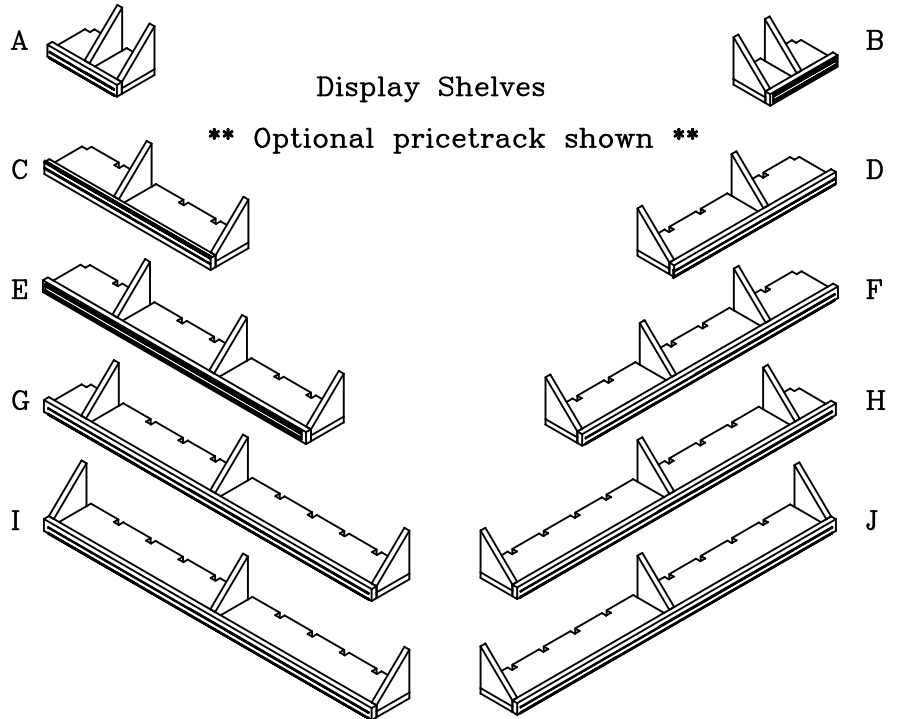
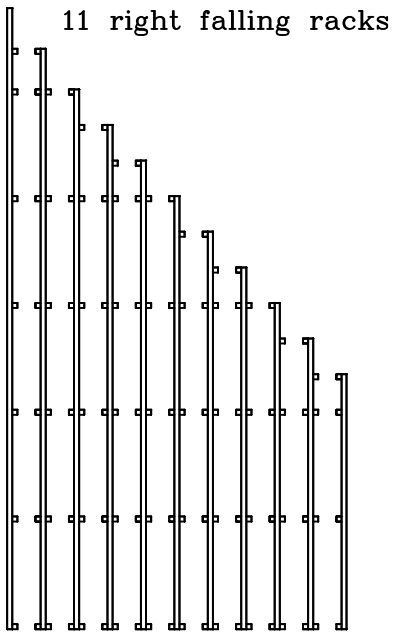
If you happen to break a piece during installation we will replace it for free. In such a situation, feel free to contact us Monday through Friday between 8am and 5pm Eastern time.

Wine Cellar Innovations
4575 Eastern Avenue
Cincinnati, Ohio 45226

Phone: (800) 229-9813
Fax: (513) 979-5280
www.winecellarinnovations.com

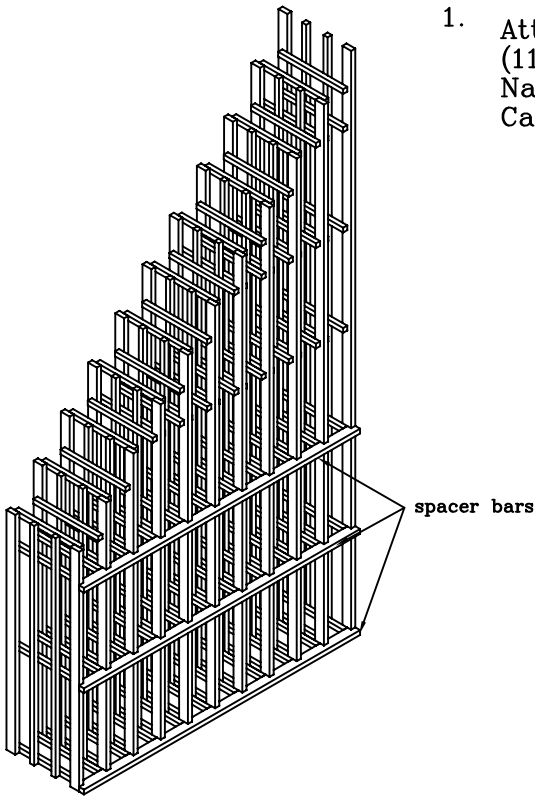
Waterfall Vertical Bins Parts List

Rev: 4/16/10

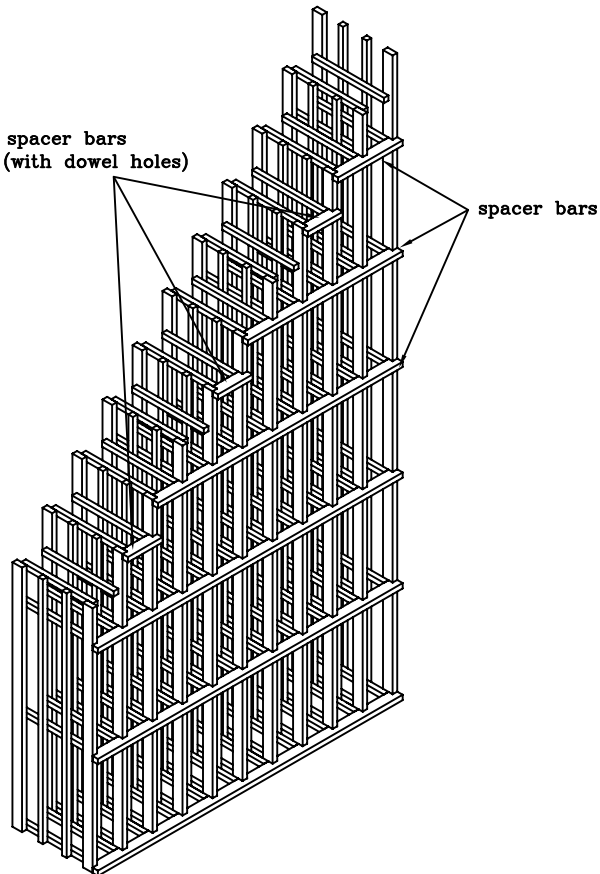


- 11 Right Falling Racks
 - 11 Left Falling Racks
 - 1 A Display Shelf
 - 1 B Display Shelf
 - 1 C Display Shelf
 - 1 D Display Shelf
 - 1 E Display Shelf
 - 1 F Display Shelf
 - 1 G Display Shelf
 - 1 H Display Shelf
 - 2 I Display Shelves
 - 2 J Display Shelves
 - 6 K Spacer bars (no dowel hole)
 - 6 L Spacer Bars
 - 2 M Spacer Bars
 - 2 N Spacer Bars
 - 2 O Spacer Bars
 - 6 P Spacer Bars
 - 6 Q Front Trim (35 3/4)
 - 1 R Top Trim (25 3/8)
- Hardware etc.
- 1 Bag of Nails
 - 56 3/4" #6 screws
 - 36 3" #8 screws
 - 26 Right Angle Brackets
 - 2 Mending Plates
 - 15 Dowel Rods

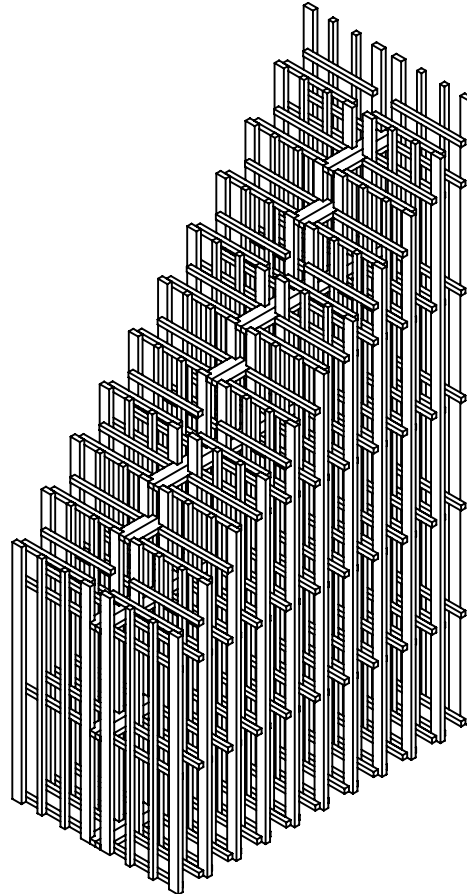
1. Attach (3) spacer bars to bottom back of (11) right falling racks with nails. Nail through each notch in spacer bars into post. This Can be done with provided nails or with a brad nailer.



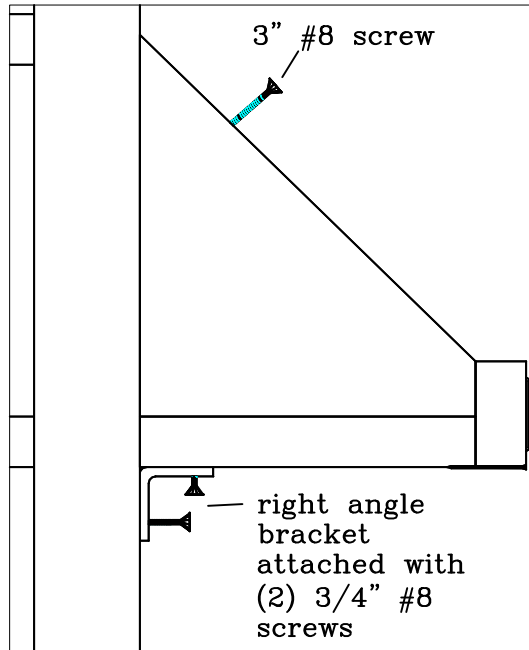
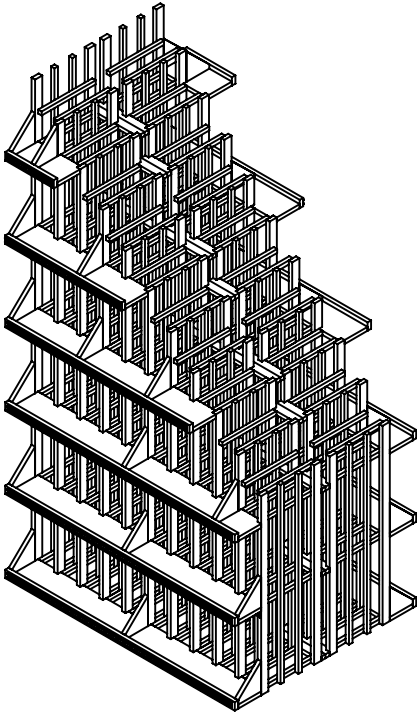
2. Attach the additional spacer bars shown below nail through each notch in spacer bars into posts. Note: Use the 1 column spacer bars with a dowel hole, The 1 column spacer bars without a dowel hole will be used on the front of the racks. Repeat steps 1 & 2 for the "left falling" racks.



3. Locate the dowel holes in each spacer bar on one half of the waterfall. Insert a small amount of wood glue on the wood dowels and insert in the holes. Attach the other half of the waterfall to the dowel rods.

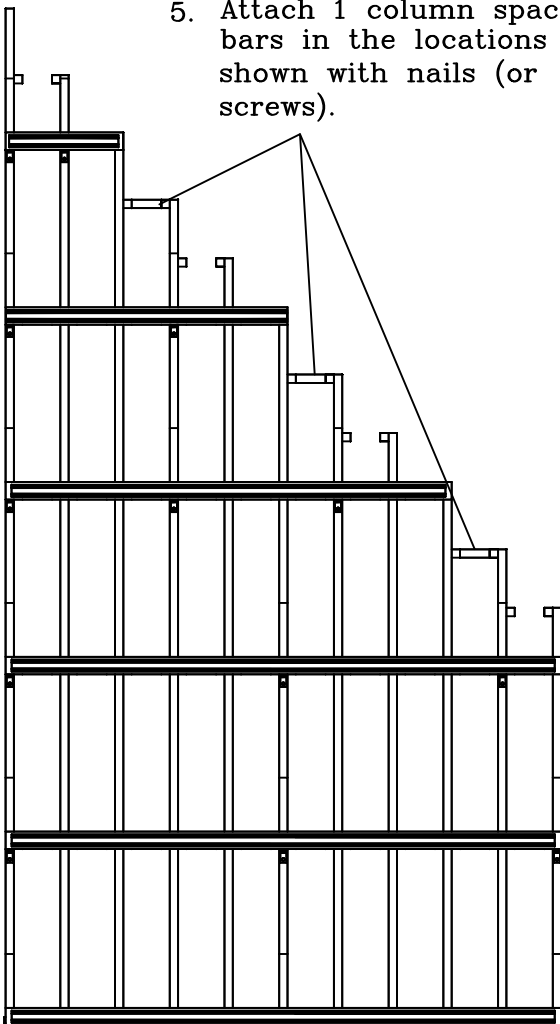


4. Attach the display shelves to the racks by:
 - a. Screwing through each triangle into the rack using 3" #8 screws.
 - b. Attaching right angle brackets to the underside of each shelf with 3/4" #8 screws. The brackets should be positioned even with the triangular supports.

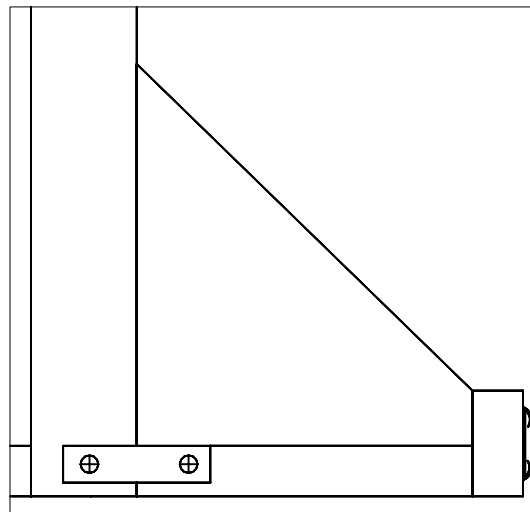


Predrill posts with a 1/8" drill bit before attaching display shelves.

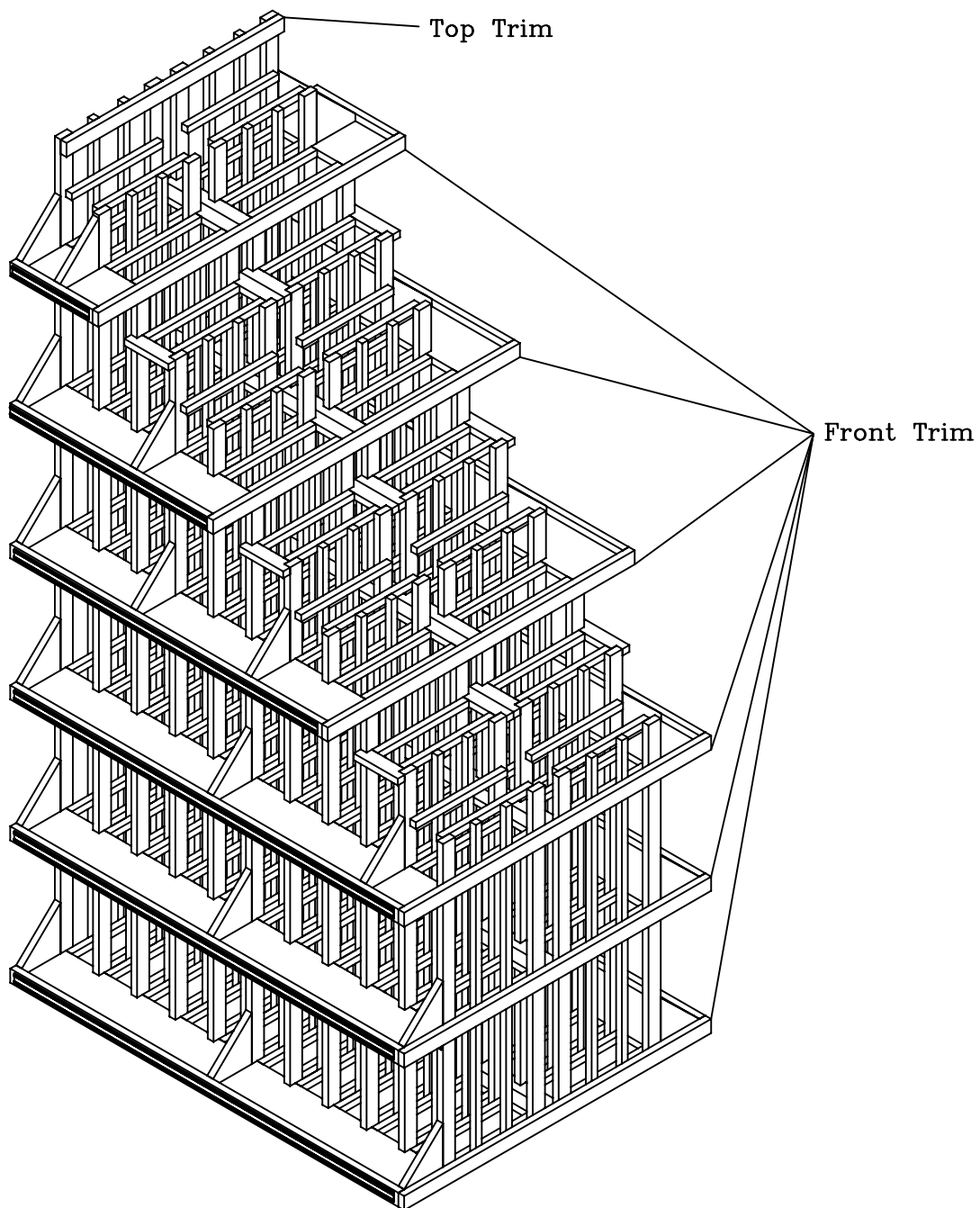
5. Attach 1 column spacer bars in the locations shown with nails (or screws).



6. Attach a mending plate to the side of the bottom shelf and the tallest rack using 3/4" #8 screws.



7. Attach top trim and front trim using nails.



Waterfall Vertical Bin is now complete.