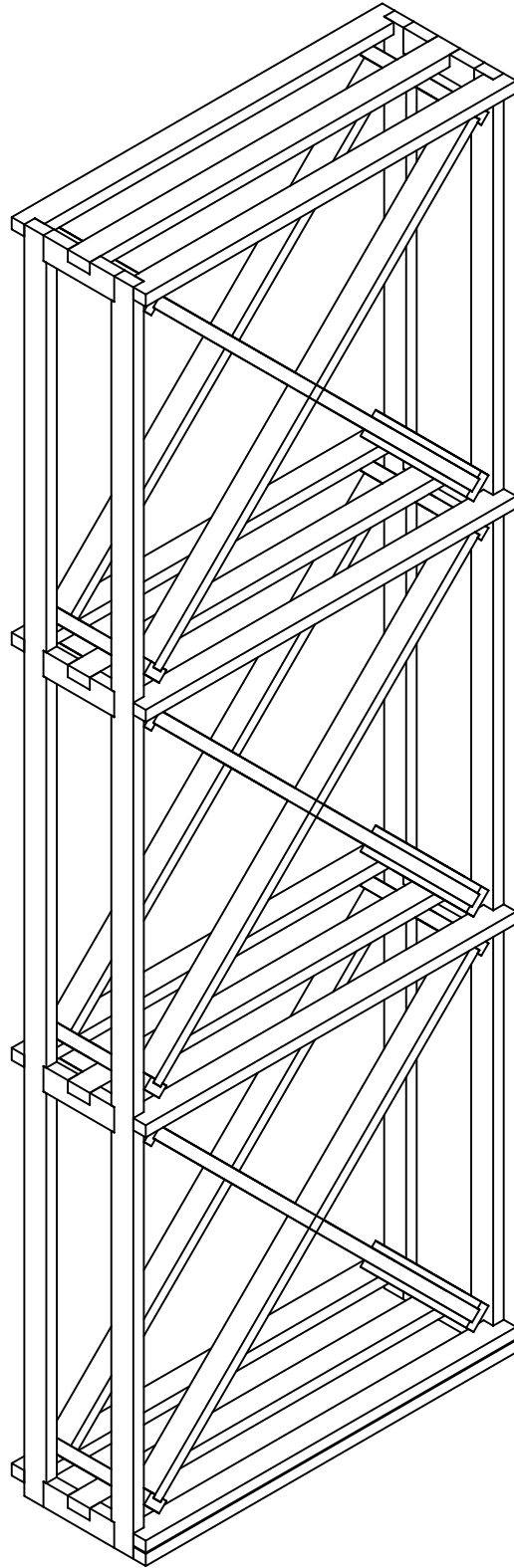


Traditional & Pine Open Diamond Cube

Rev. 3/3/11



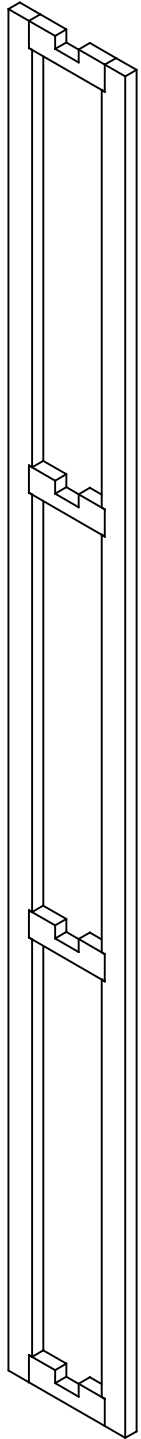
Wine Cellar Innovations
4575 Eastern Avenue
Cincinnati, Ohio 45226

Phone: (800) 229-9813
Fax: (513) 979-5280
www.winecellarinnovations.com

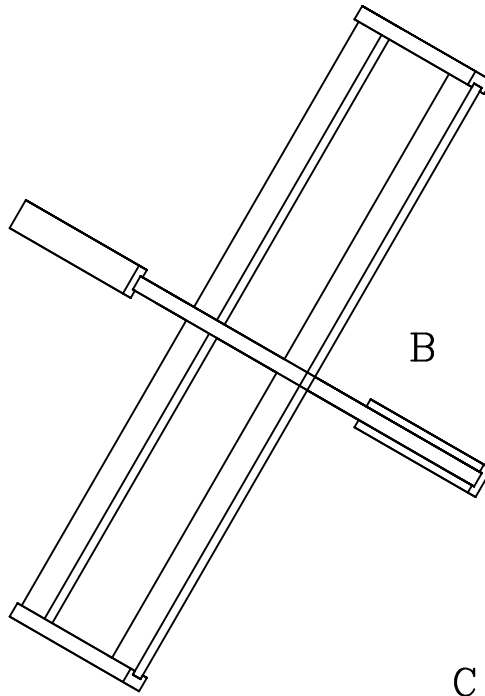
Open Diamond Cube

Parts List

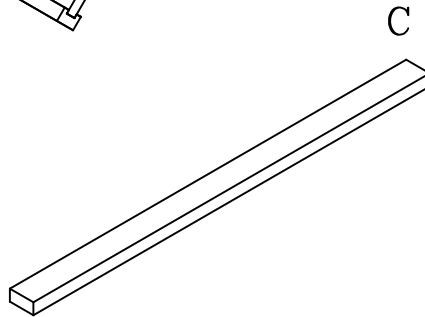
| # | qty. | description |
|---|------|---|
| A | 2 | Racks |
| B | 3 | X interlocks |
| C | 4 | Slats |
| D | 9 | Spacer bars |
| * | 1 | Bag of nails |
| * | 1 | Hardware Pack containing 2 angle brackets 2 plastic anchors 2 1" #8 screws 2 5/8" #6 screws |



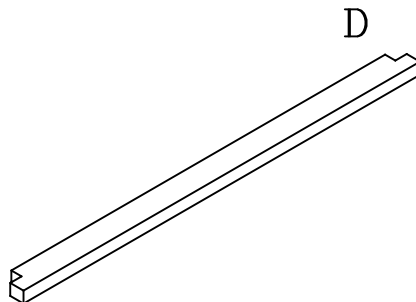
A



B

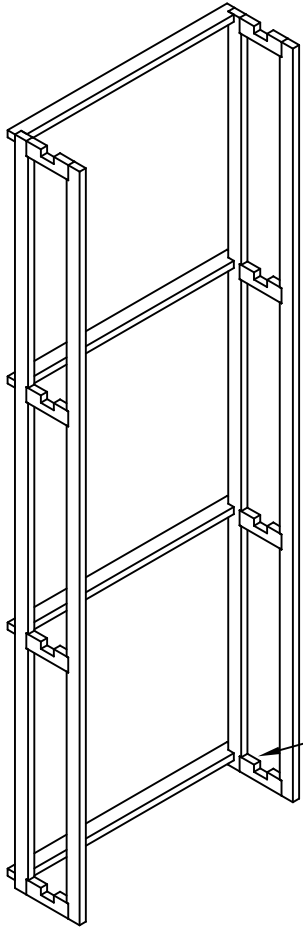


C



D

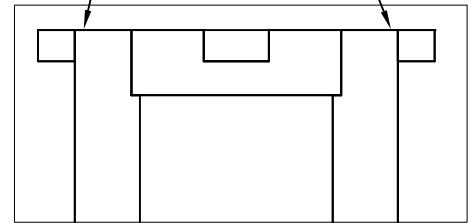
1.



a. Attach (4) spacer bars to racks with nails

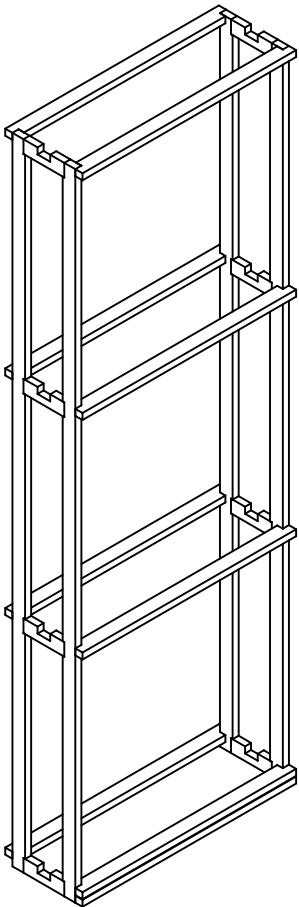
Nail the nails into each spacer bar. This can be done with the provided nails or with a brad nailer.

Spacer bars should be flush with the top of the rails.



notches on rails
need to face ceiling

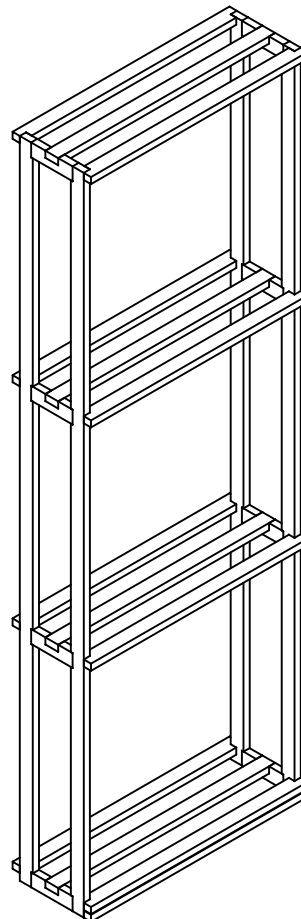
2.



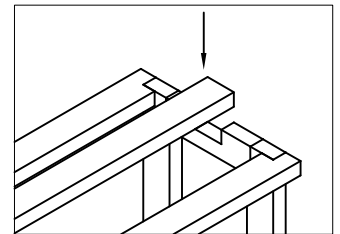
Attach 5 spacer bars to the front of the racks as in step 1.

Note: 2 spacer bars are stacked on the bottom.

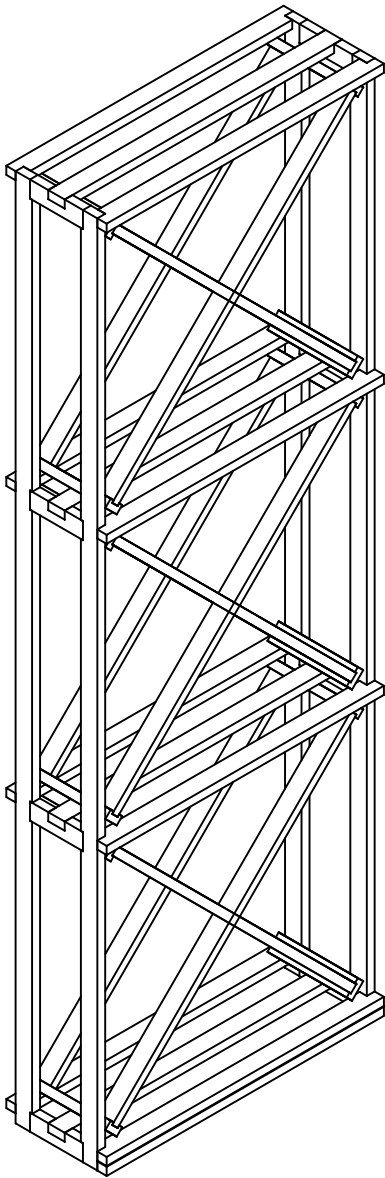
3.



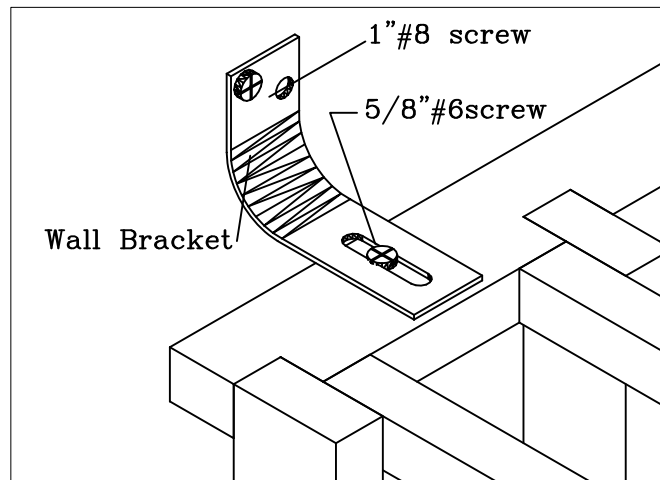
Insert (4) slats into notched rails.



4.



Insert (3) X interlocks into openings. Do not nail in place.



Secure rack to wall by attaching wall brackets to top back spacer bar. You will have 1 bracket on the left and 1 on the right.

Open Diamond Cube assembly complete.

always remove bottles before moving racks.

Wine Cellar Innovations
4575 Eastern Avenue
Cincinnati, Ohio 45226

Phone: (800) 229-9813
Fax: (513) 979-5280
www.winecellarinnovations.com