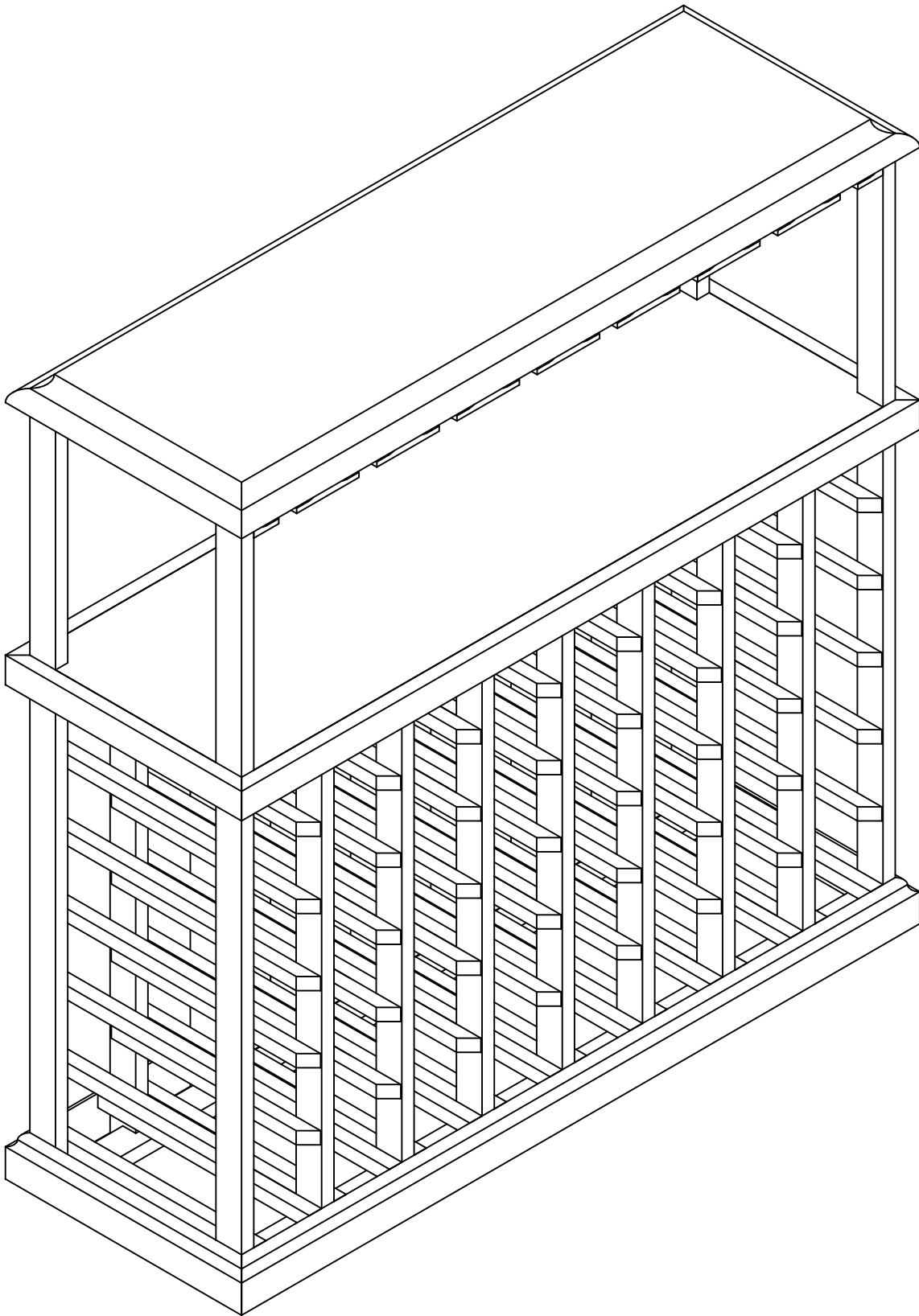


Oak Bar

Rev. 4/22/08



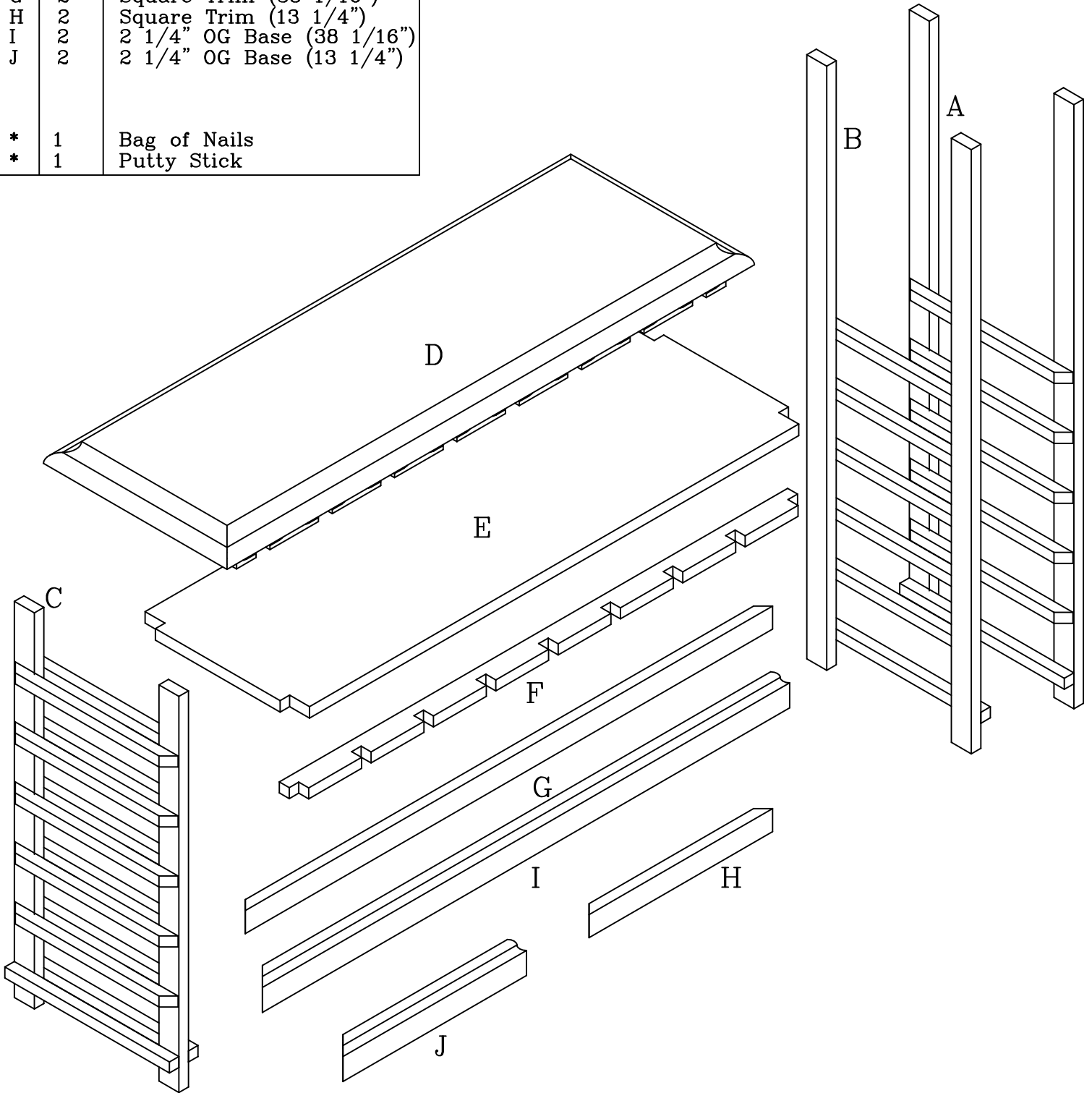
Wine Cellar Innovations
4575 Eastern Avenue
Cincinnati, Ohio 45226

Phone: (800) 229-9813
Fax: (513) 979-5280
www.winecellarinnovations.com

Rev. 4/22/08

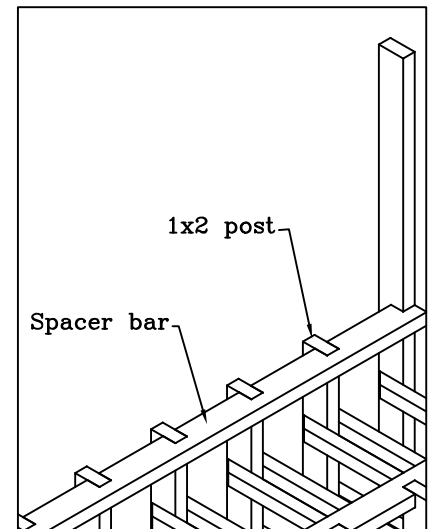
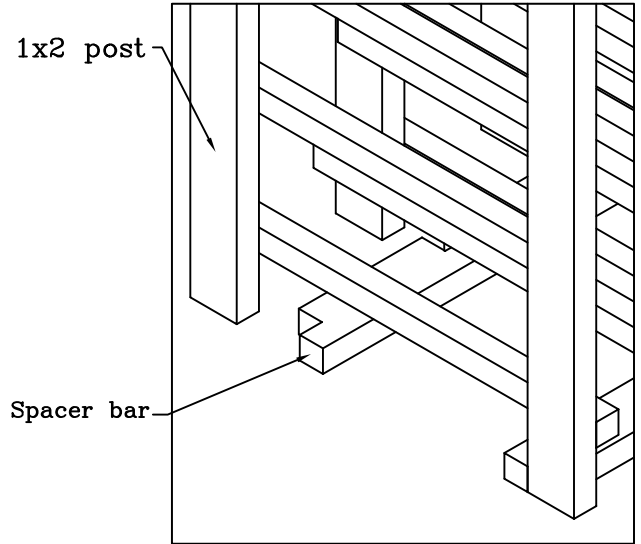
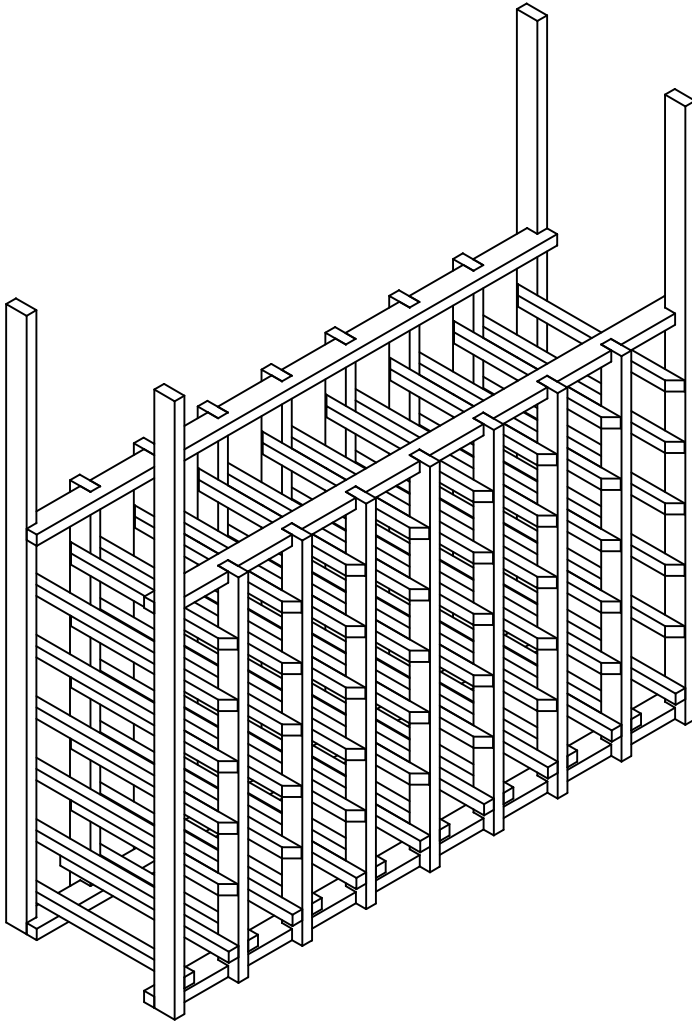
Oak Bar
Parts List

| # | qty. | description |
|---|------|---------------------------|
| A | 1 | Right rack |
| B | 1 | Left rack |
| C | 7 | Double rack |
| D | 1 | Table Top w/Glass Cradles |
| E | 1 | Solid Shelf |
| F | 4 | Spacer Bars |
| G | 2 | Square Trim (38 1/16") |
| H | 2 | Square Trim (13 1/4") |
| I | 2 | 2 1/4" OG Base (38 1/16") |
| J | 2 | 2 1/4" OG Base (13 1/4") |
| * | 1 | Bag of Nails |
| * | 1 | Putty Stick |



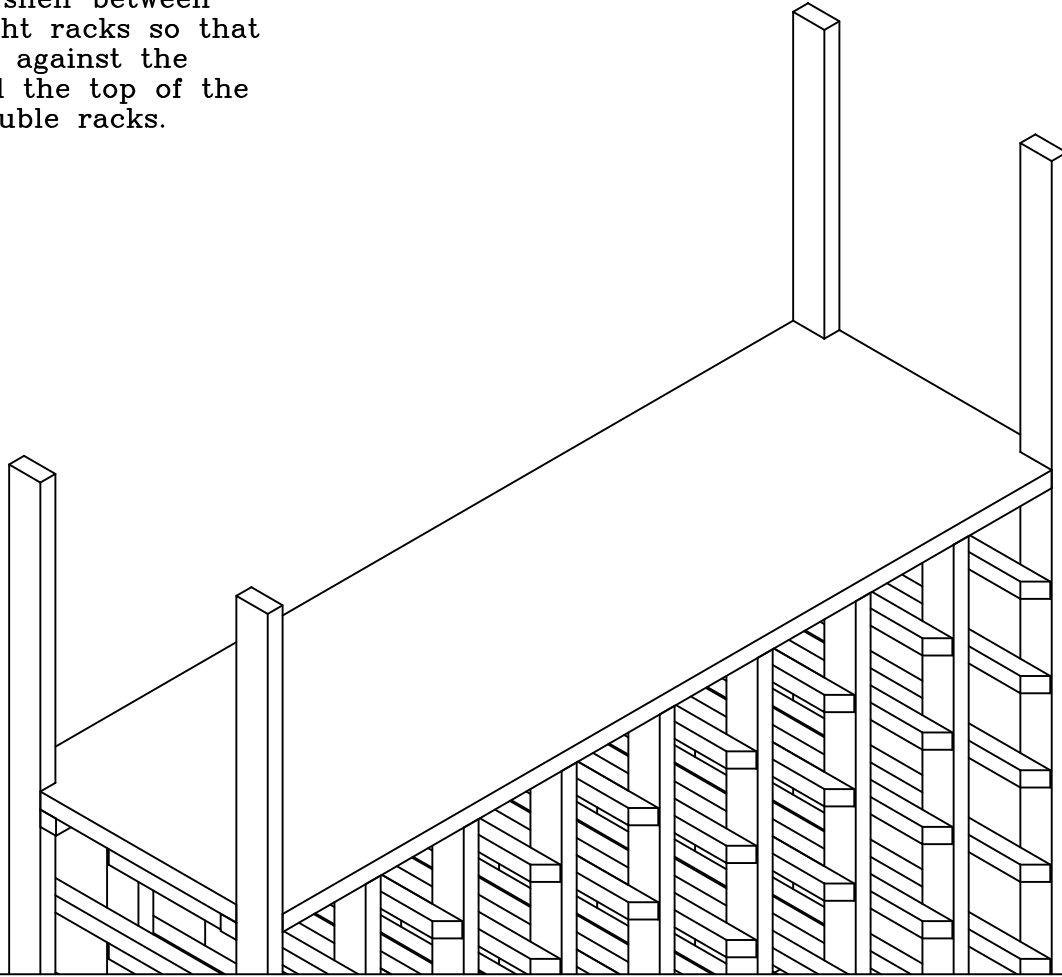
1. Attach (4) spacer bars to the racks with nails.

Spacers bar should have a nail in each notch. This can be done with the provided nails or with a brad nailer.

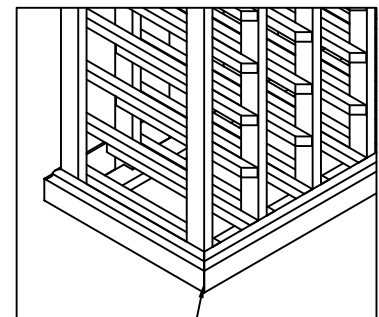
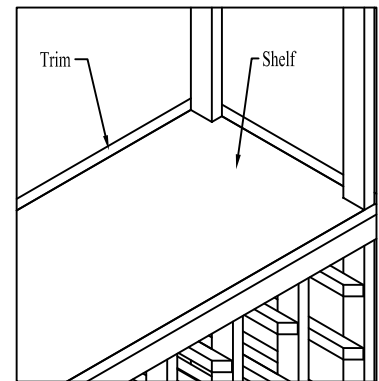
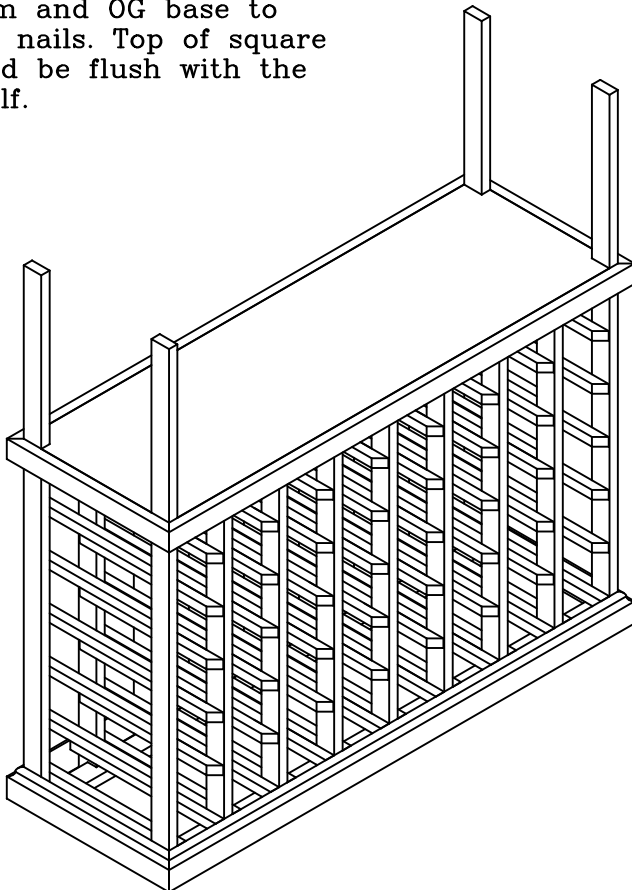


Note:
Top spacer bars are flush
with top of double racks.

2. Place the solid shelf between the left and right racks so that it is lying flush against the spacer bars and the top of the posts of the double racks.

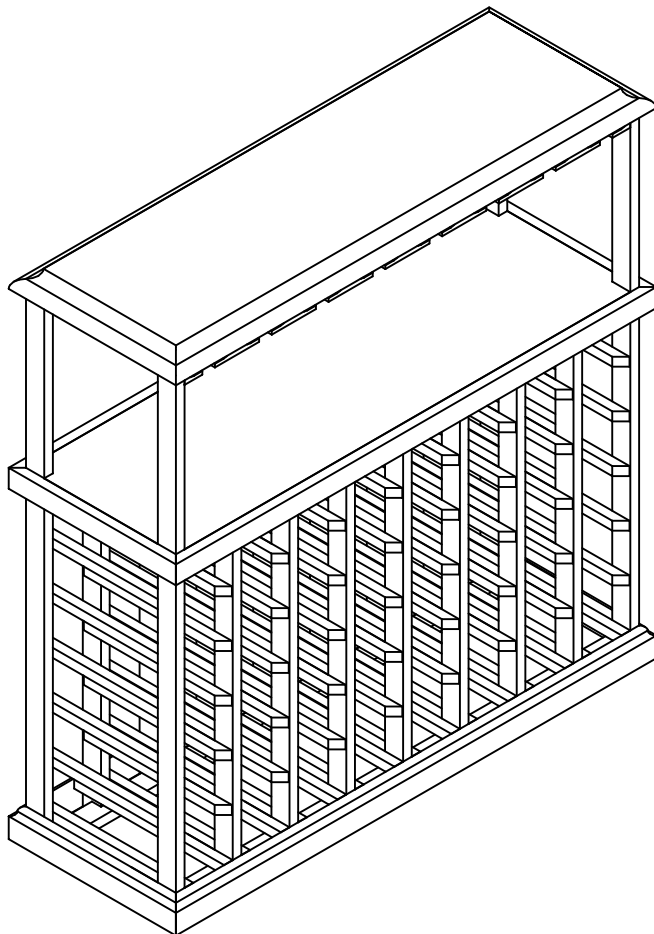
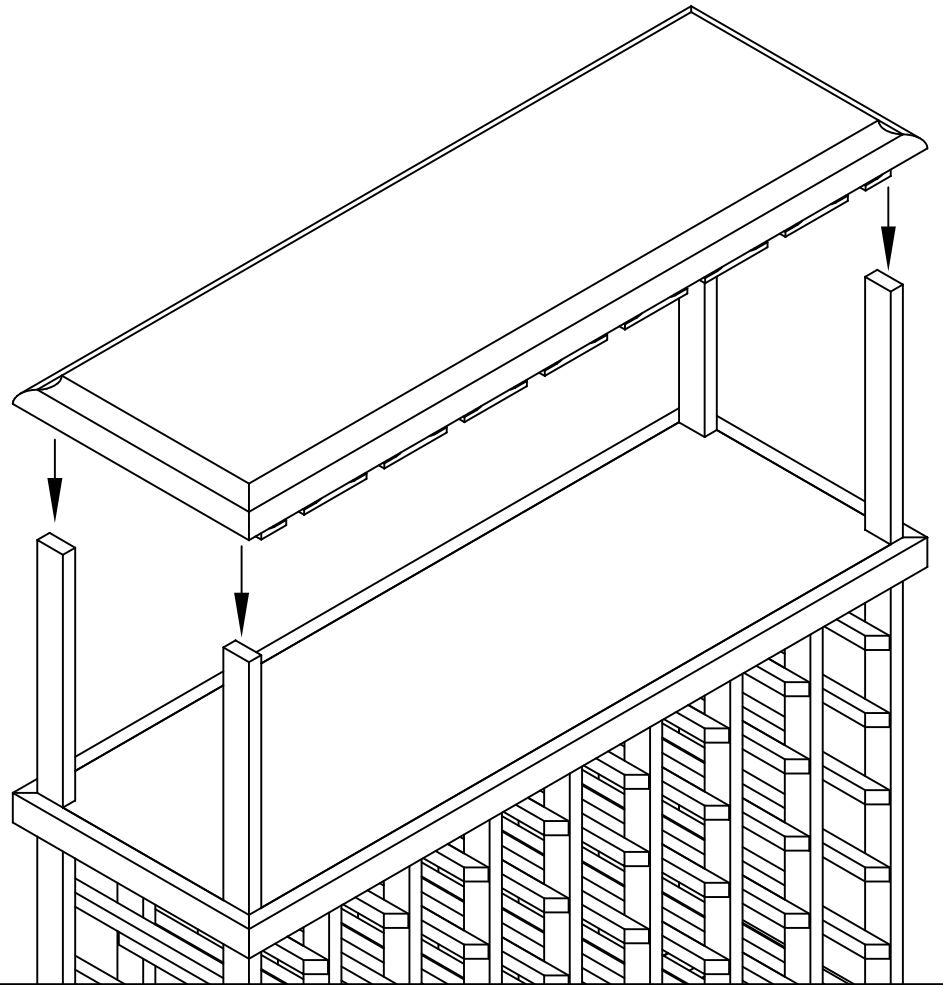


3. Attach trim and OG base to racks with nails. Top of square trim should be flush with the top of shelf.



OG base

4. Place small amount of glue in dados on table top and tap down on post to ensure proper fit. wipe away any excess glue.



Oak bar assembly complete.
Always remove all bottles
before moving kit.

Phone: (800) 229-9813
Fax: (513) 979-5280
www.winecellarinnovations.com