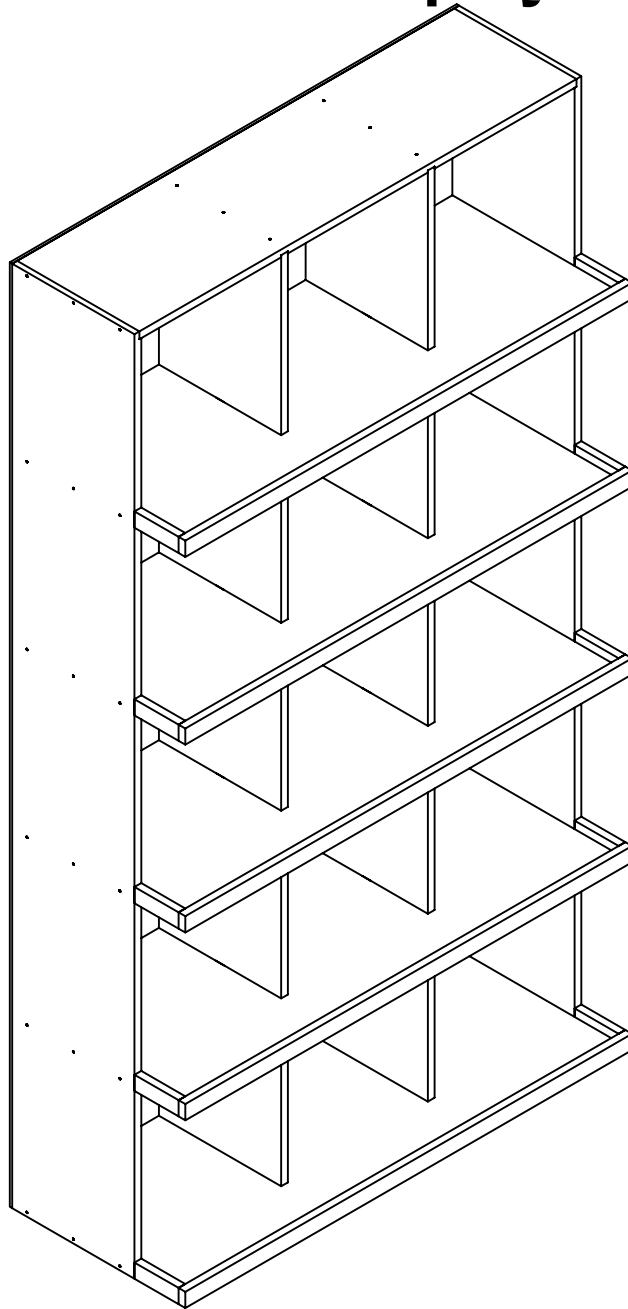


Fixed Shelf Display



Thank you for your purchase from Wine Cellar Innovations. In the manufacturing and packaging of your products numerous people have reviewed your order for accuracy and attention to detail. We believe this focus is what has made us the worldwide leader in wine storage products.

When assembling the products, please refer to the instructions provided and follow them closely. Always pre pieces any time a screw will be used as a fastener. Redwood is a soft and beautiful wood species, but will split like all other wood types if placed under unusual stresses. The cellar has been engineered with the weight of the bottles factored into the layout, and will be capable of sustaining loads far greater than this when assembled correctly.

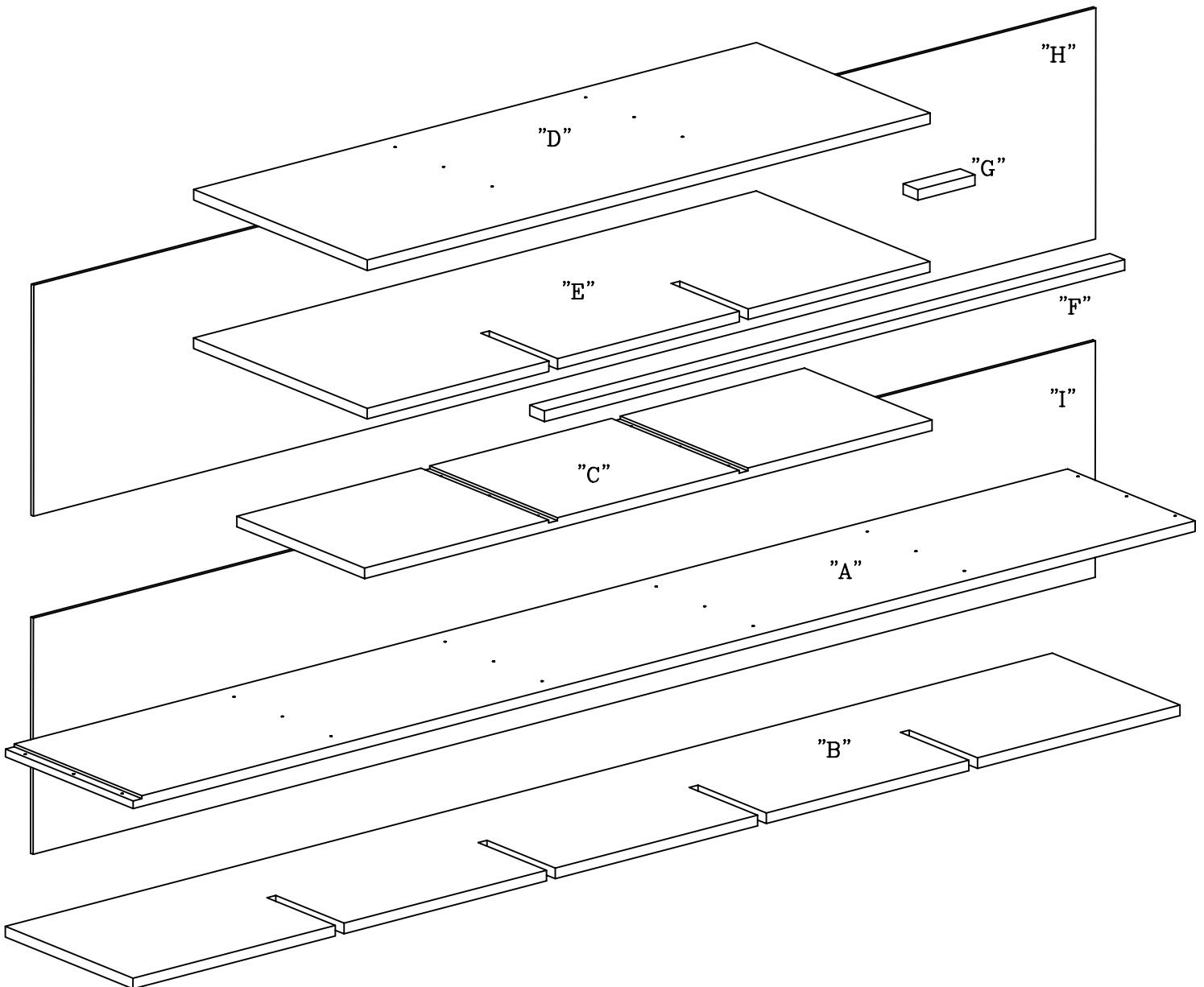
If you happen to break a piece during installation we will replace it for free. In such a situation, feel free to contact us Monday through Friday between am and 5pm Eastern time.

Wine Cellar Innovations
4575 Eastern Avenue
Cincinnati, Ohio 45226

Phone: (800) 229-9813
Fax: (513) 979-5280
www.winecellarinnovations.com

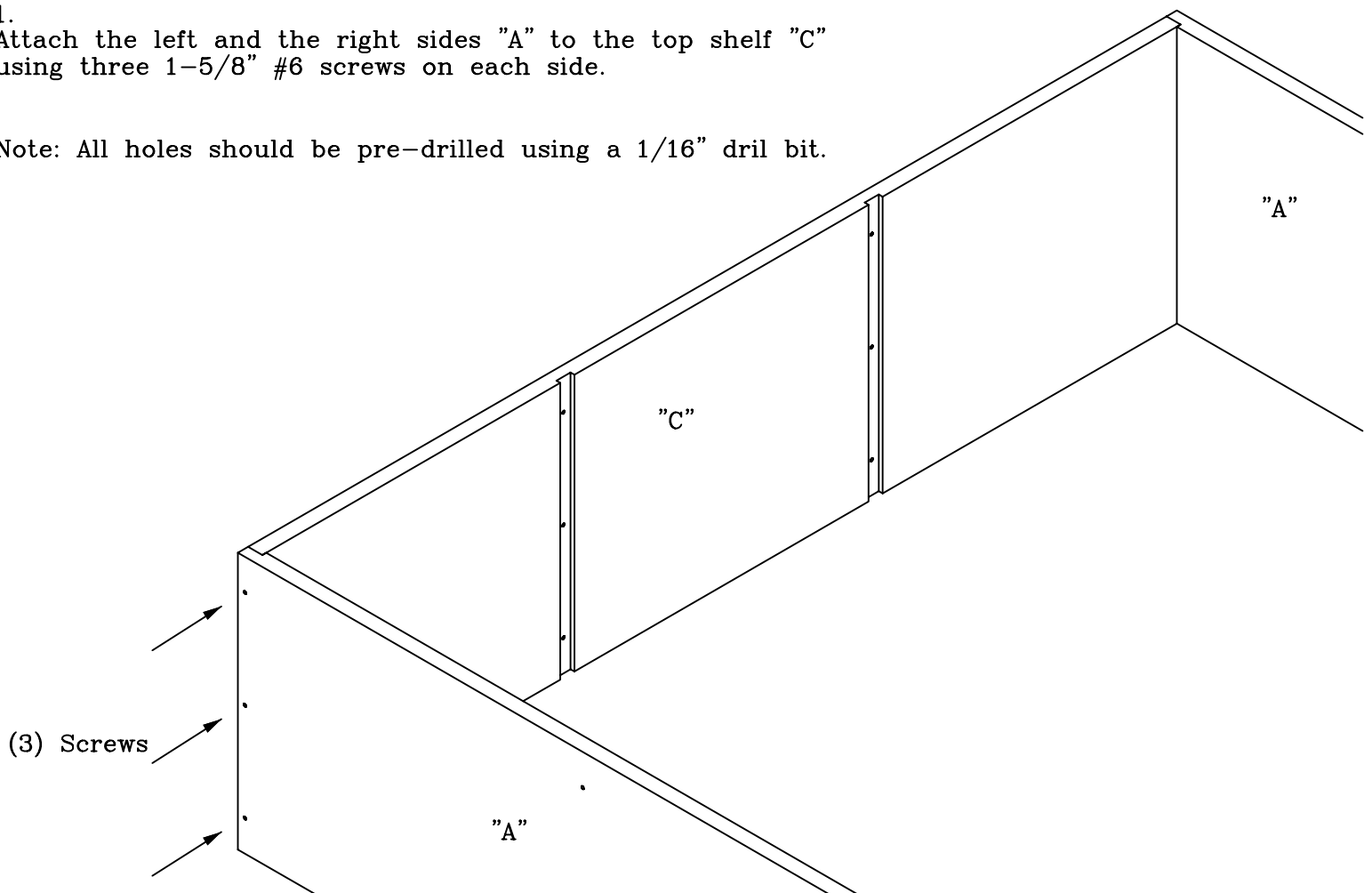
Fixed Shelf Display

Item	Qty.	Description	
A	2	Left/Right Sides	(83 5/8" x 11/16" x 12 1/2")
B	2	Dividers	(82 7/16" x 11/16" x 12 1/2")
C	1	Top Shelf	(44 11/16" x 11/16" x 12 1/2")
D	1	Bottom Shelf	(44 5/16" x 11/16" x 17")
E	4	Middle Shelves	(44 5/16" x 11/16" x 17")
F	5	Trim	(1 7/16 x 11/16 x 46")
G	10	Trim	(1 7/16" x 11/16" x 6")
H	2	Back Left/Right	(15" x 3/16" x 83 1/8")
I	1	Back Center	(15 11/32" x 3/16" x 83 1/8")
	1	Hardware	1 Putty Stick 2 Bags of Finishing Nails 48- 1 5/8 #6 Screws 24- 1 1/4 Ring Shank Nails



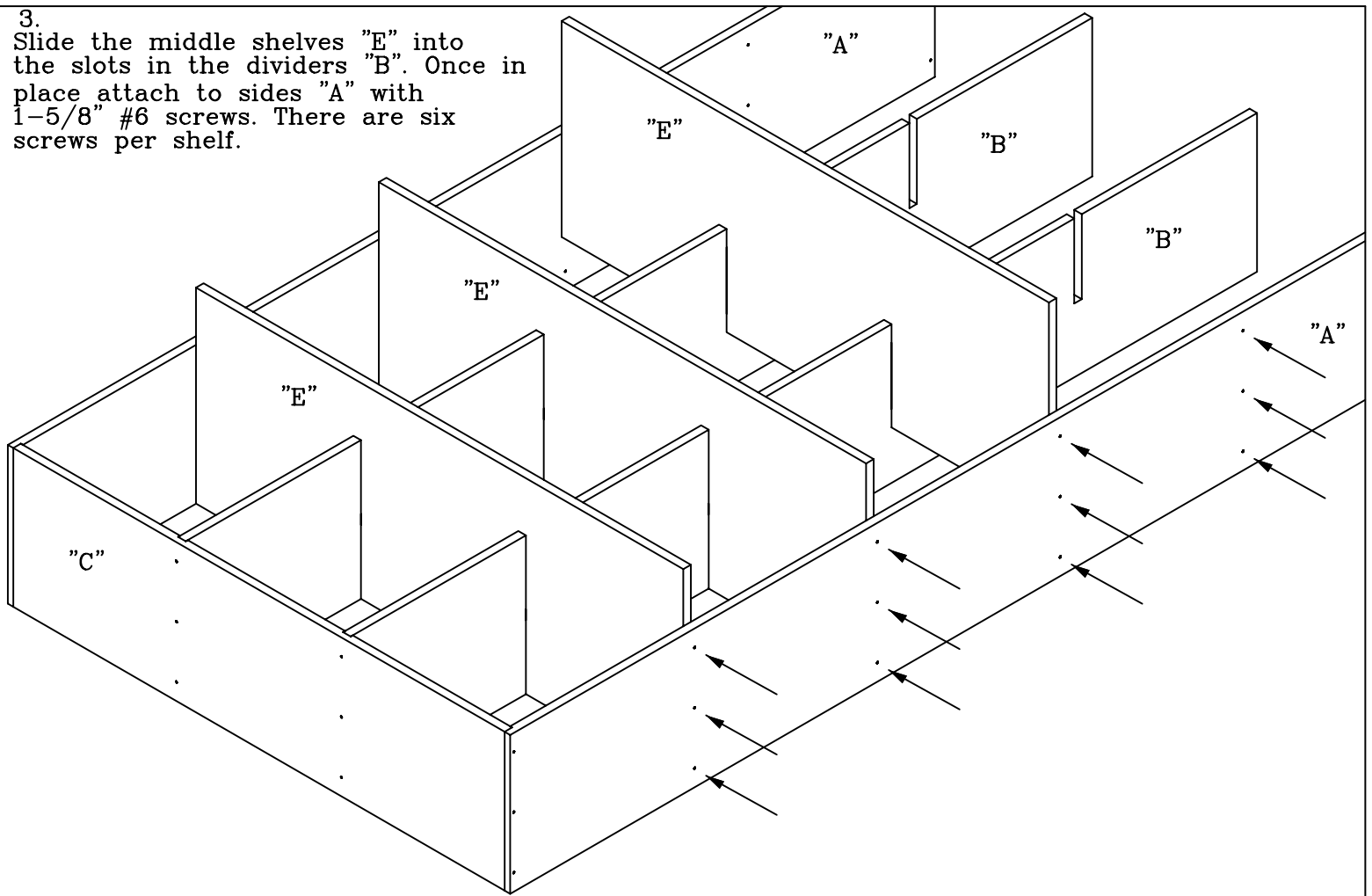
1.
Attach the left and the right sides "A" to the top shelf "C" using three 1-5/8" #6 screws on each side.

Note: All holes should be pre-drilled using a 1/16" drill bit.

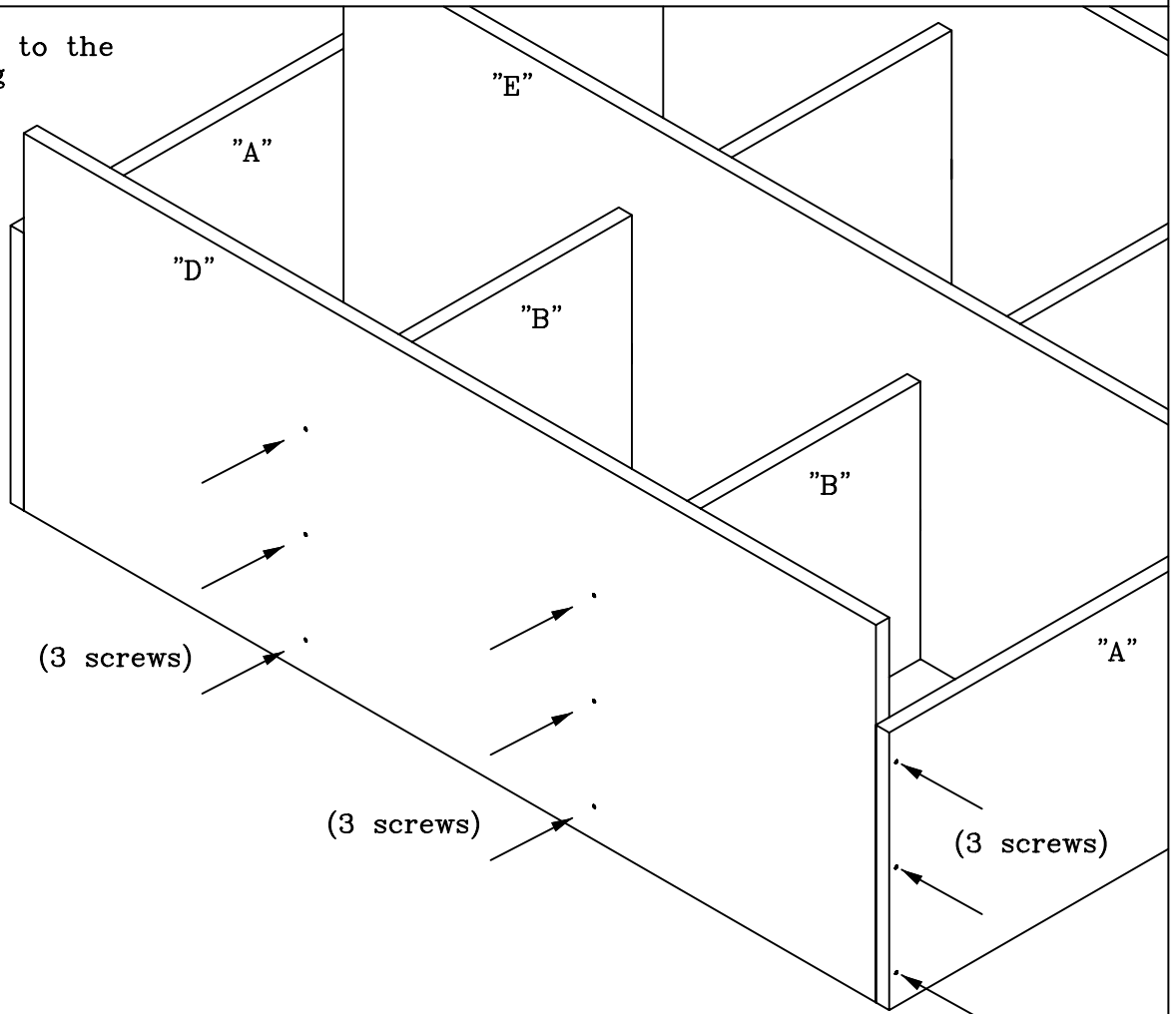


2.
The next step will be to attach the two dividers "B" to the top shelf "C". You will use a total of six 1-5/8" #6 screws. Make sure the cut out slots are facing as shown.

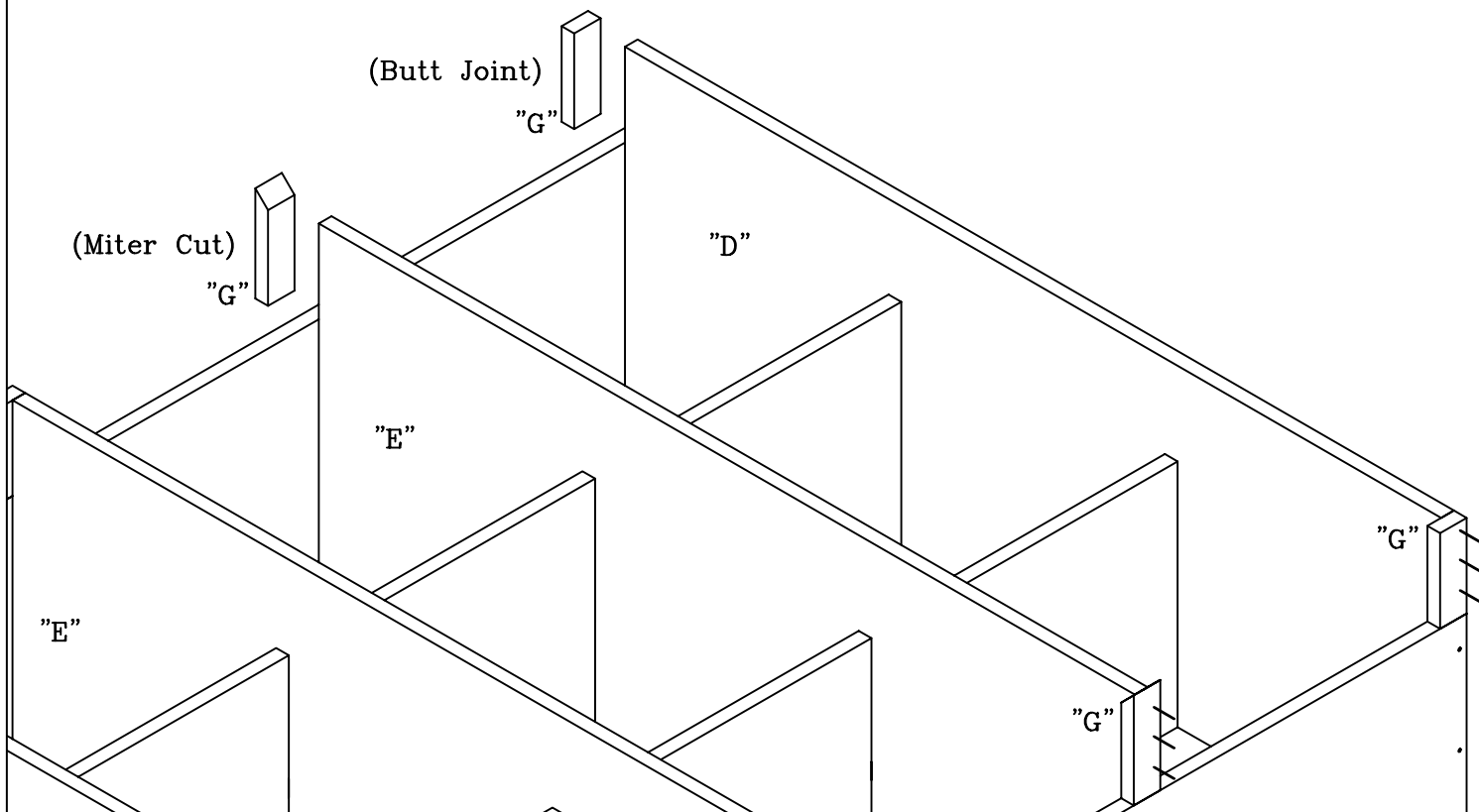
3. Slide the middle shelves "E" into the slots in the dividers "B". Once in place attach to sides "A" with 1-5/8" #6 screws. There are six screws per shelf.



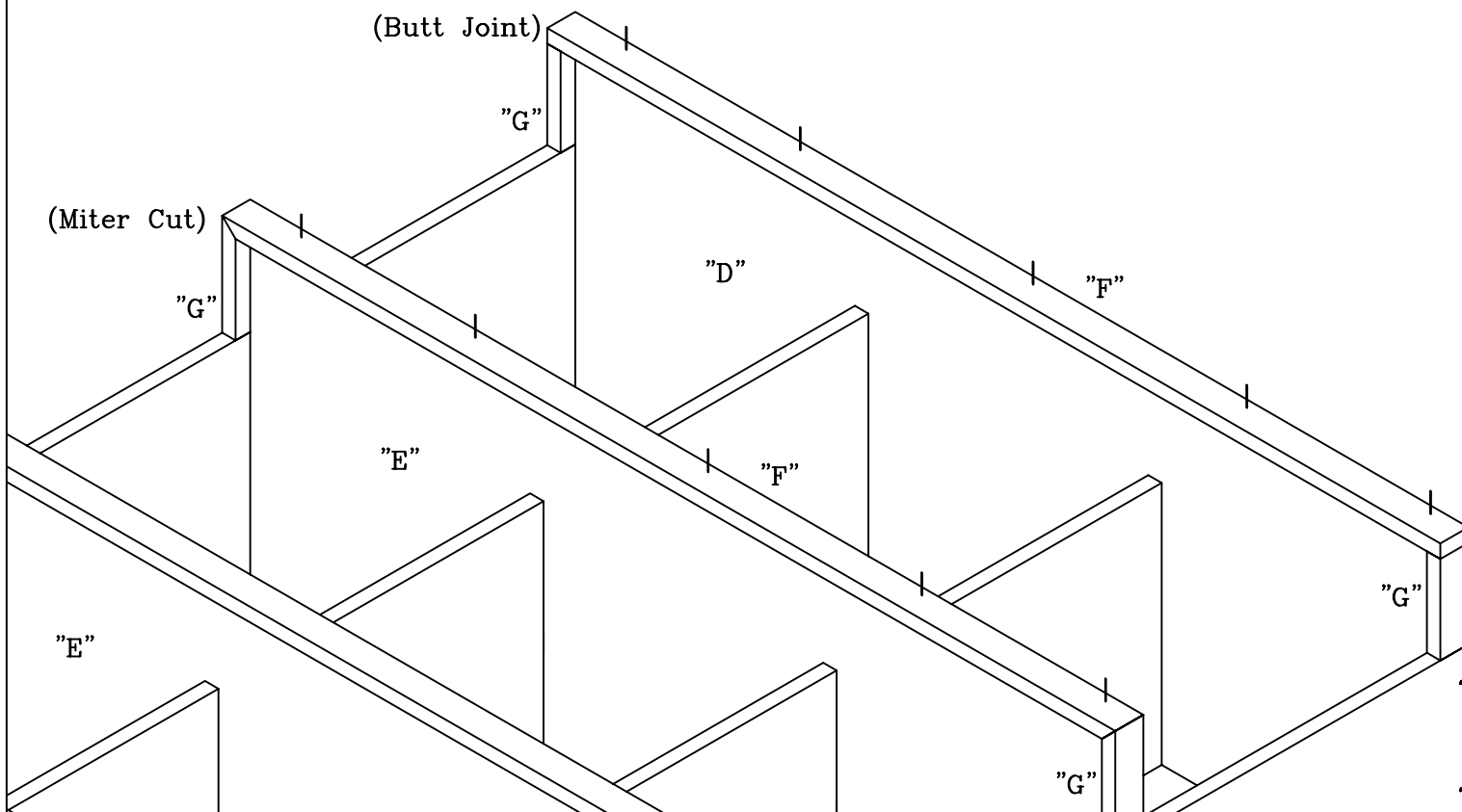
4. Attach bottom shelf "D" to the dividers and sides using 1 5/8" # 6 screws.



5.
You are now ready to add the side trim.
The side trim "G" will need to be cut to size.
A miter cut or a butt joint may be used.
Attach the side trim "G" to the exposed sides of
the shelves with the nails provided.
(The top shelf is the only shelf not to get trim.)



6.
The front trim "F" will need to be cut to size.
A miter cut or a butt joint may be used.
Attach the front trim "F" to the exposed edge of
the shelves with the nails provided.
(The top shelf is the only shelf not to get trim.)



7. The final step will be to attach the back panels.

Note: The wider panel "I" goes in the middle.

Use 1 1/4" ring shank nails on the perimeter and finish nails for the inner edges.

Finish nails will need to be staggered in order to fit.

