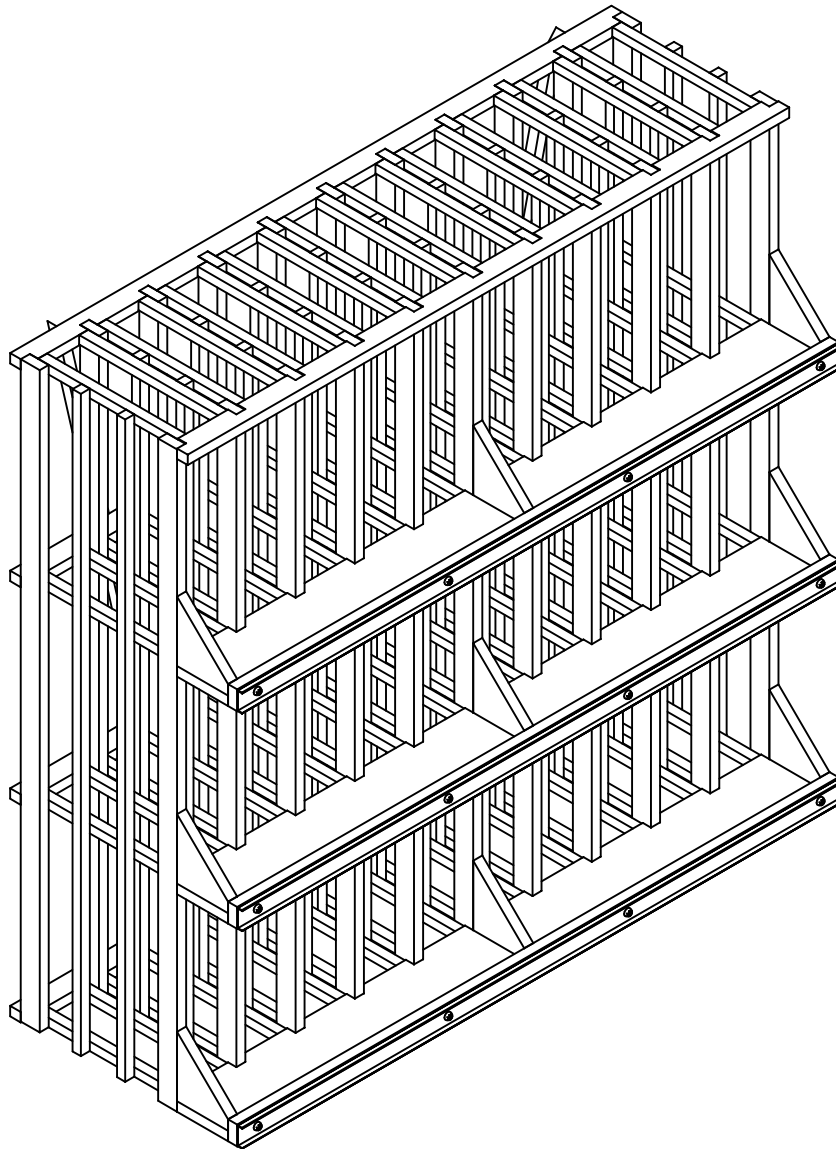


Commercial Display Racking

Vertical Display Half Height

Rev: 4/16/10



Thank you for your purchase from Wine Cellar Innovations. In the manufacturing and packaging of your products numerous people have reviewed your order for accuracy and attention to detail. We believe this focus is what has made us the worldwide leader in wine storage products.

When assembling the products, please refer to the instructions provided and follow them closely. Always pre-drill pieces any time a screw will be used as a fastener. Redwood is a soft and beautiful wood species, but will split like all other wood types if placed under unusual stresses. The cellar has been engineered with the weight of the bottles factored into the layout, and will be capable of sustaining loads far greater than this when assembled correctly.

If you happen to break a piece during installation we will replace it for free. In such a situation, feel free to contact us Monday through Friday between 8am and 5pm Eastern time.

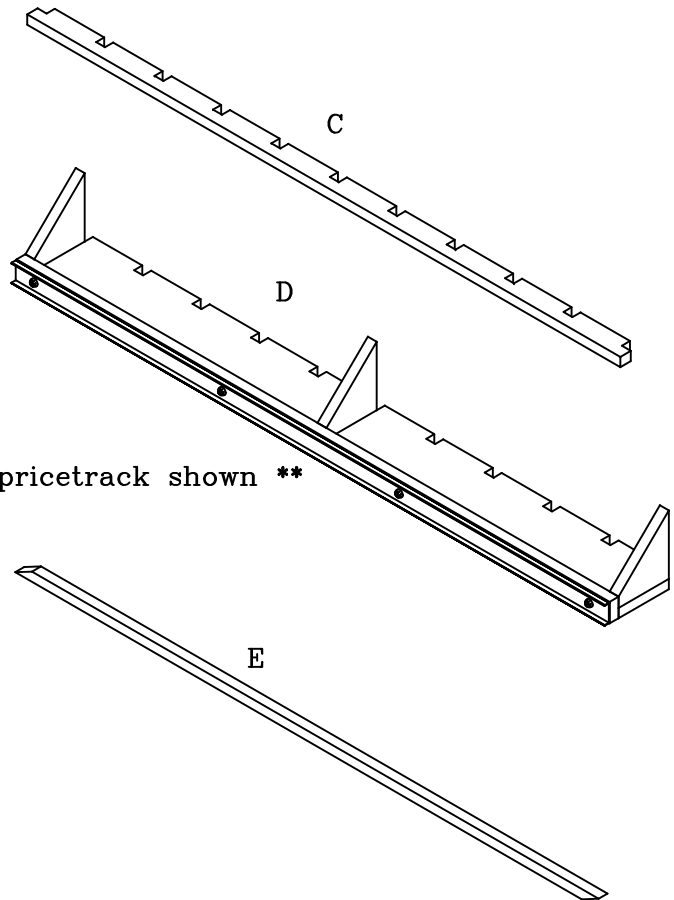
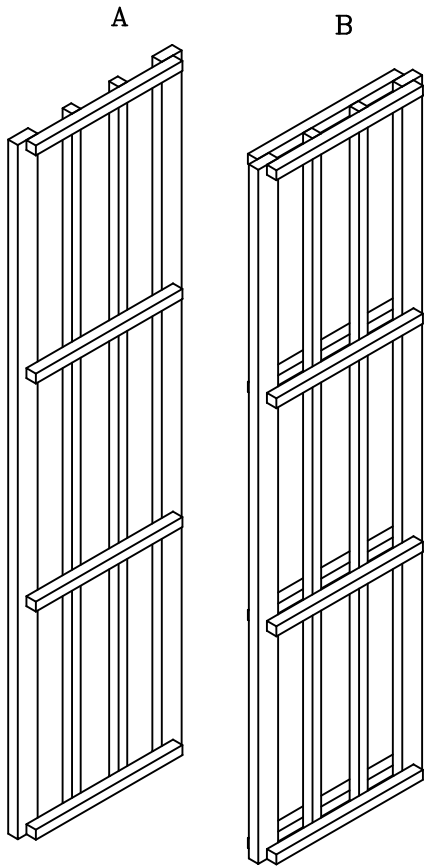
Wine Cellar Innovations
4575 Eastern Avenue
Cincinnati, Ohio 45226

Phone: (800) 229-9813
Fax: (513) 979-5280
www.winecellarinnovations.com

Vertical Display Half Height Parts List

Rev: 4/16/10

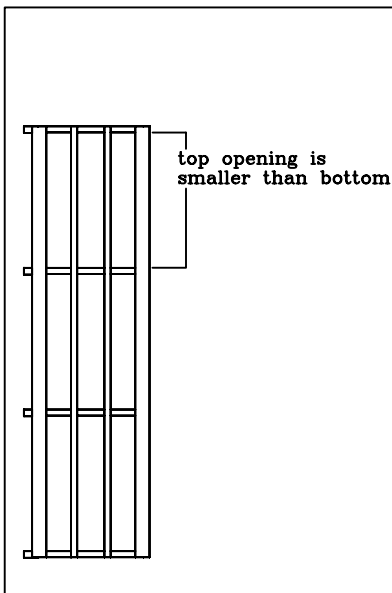
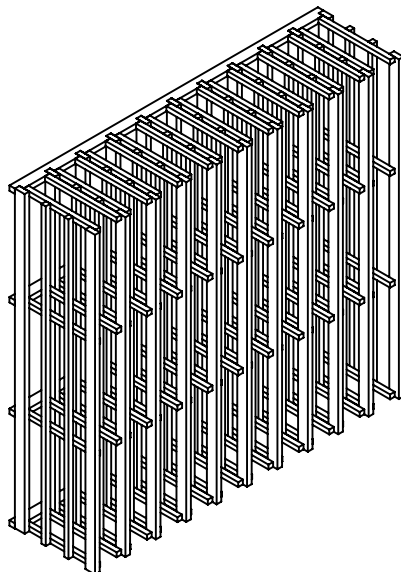
#	Qty.	Description
A	2	Rack- Ends
B	9	Rack- Doubles
C	5	Spacer Bar- 45 11/16
D	3	Spacer Bar display shelves- 45 11/16
E	2	1x1 Braces 44 15/16
* * * *	9 6 12 1	3" #8 Screws Right Angle Brackets 3/4" #6 Screws Bag of nails
*	1	Hardware Pack containing 2 angle brackets 2 plastic anchors 2 1" #8 screws 2 5/8" #6 screws



** Optional pricetrack shown **

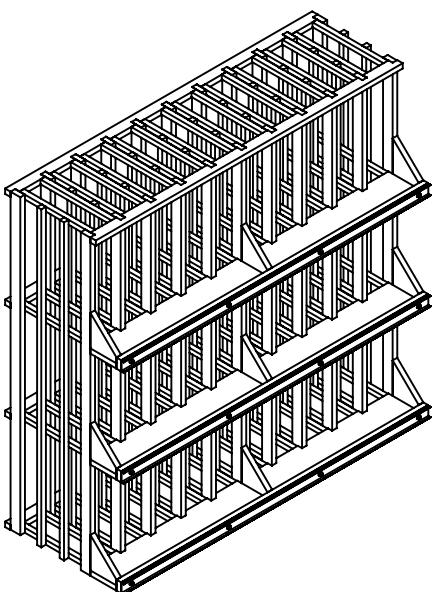
1.

Attach (4) spacer bars to the back of (1) left, (1) right, and (9) doubles with nails.
 Top & bottom spacer bars should have a nail just on each end, and a middle notch, (1) middle spacer bar should have a nail in each notch. This can be done with the provided nails or with a brad nailer.

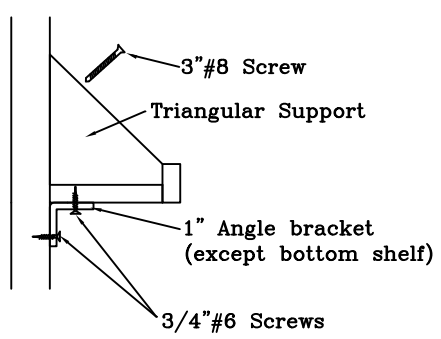
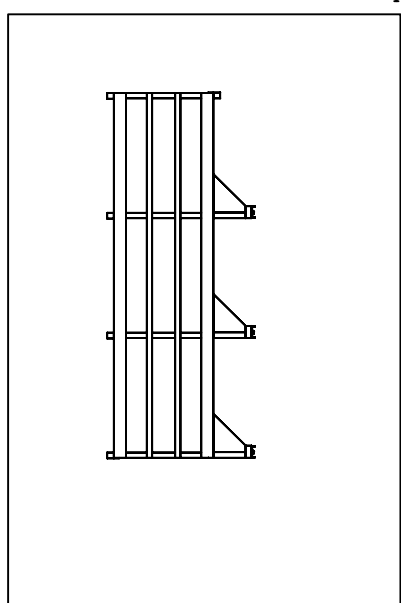


2.

a. Attach (1) spacer bar to top front of (1) left, (1) right, and (9) doubles. nail through a mid notch and end notches.

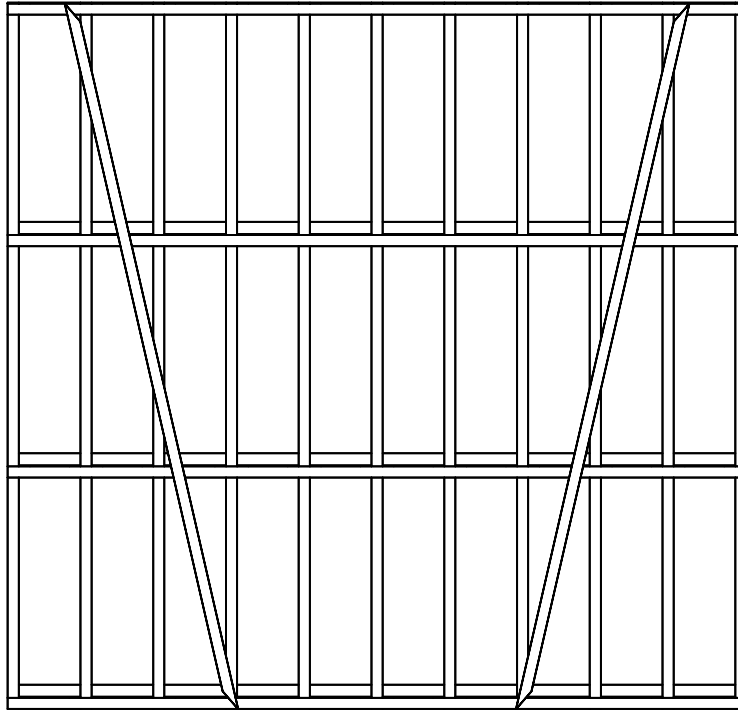


b. Attach spacer bar display trays to racks.
 There will be (1) 3" #8 screw, and (1) angle bracket per triangular support.
 Note: To avoid splitting, predrill racks with a 1/8" drill bit for the display trays.



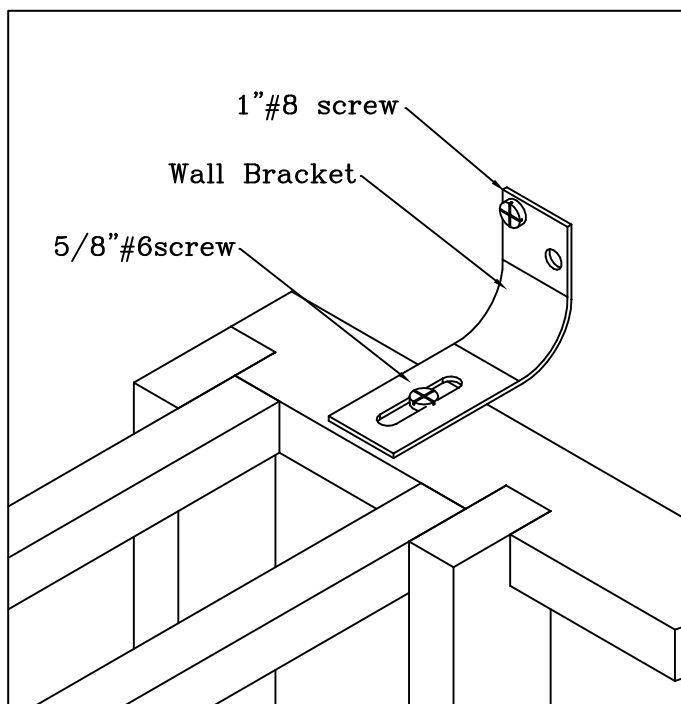
3.

Square rack and nail braces to the back spacer bars as shown.



4. (Optional)

Secure rack to wall by attaching wall brackets to top back spacer bar. You will have 1 bracket on the left and 1 on the right.



Assembly now complete

Always remove bottles before moving racks.

Wine Cellar Innovations

4575 Eastern Avenue
Cincinnati, Ohio 45226

Phone: (800) 229-9813

Fax: (513) 979-5280

www.winecellarinnovations.com