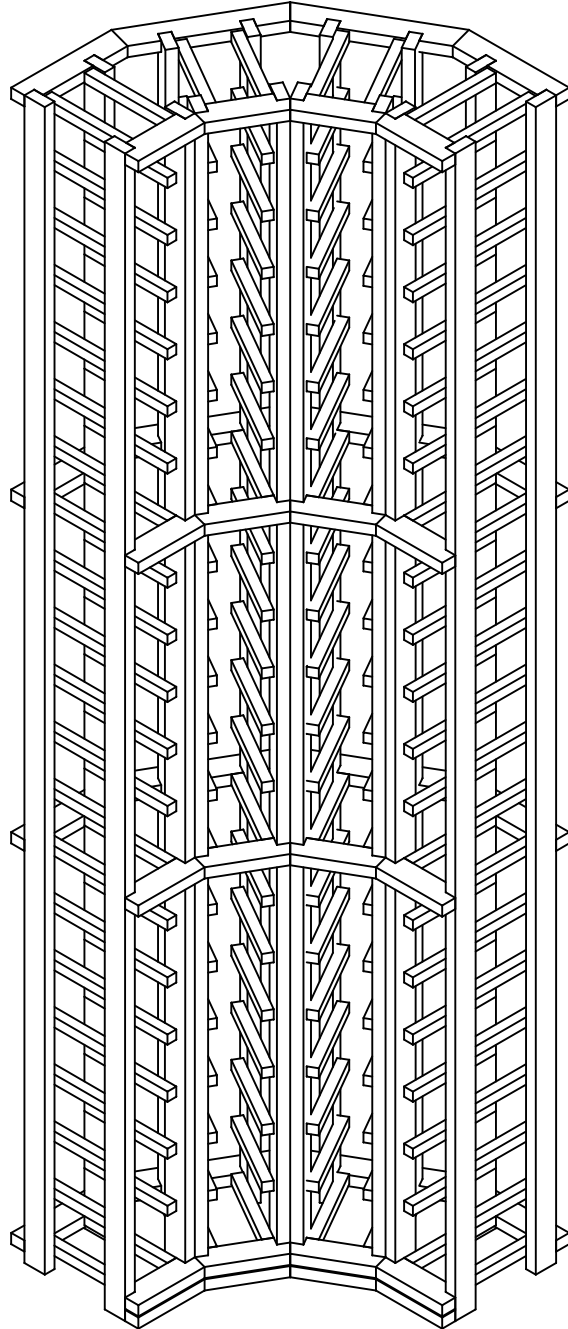


Traditional & Pine Curved Corner

Rev. 3/3/11

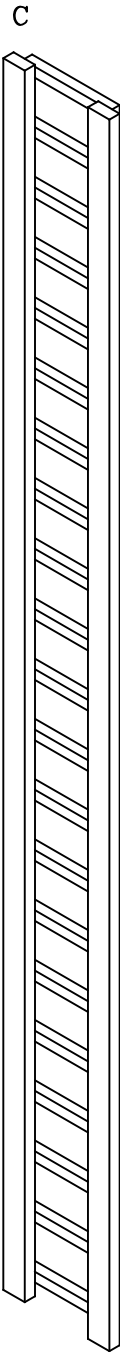
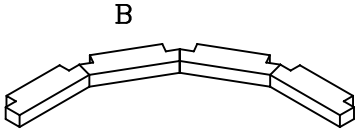
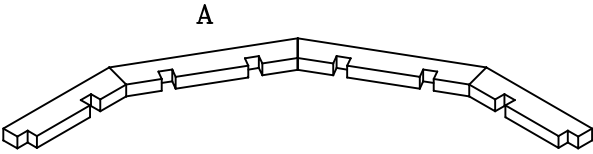


Wine Cellar Innovations
4575 Eastern Avenue
Cincinnati, Ohio 45226

Phone: (800) 229-9813
Fax: (513) 979-5280
www.winecellarinnovations.com

Parts List

#	Qty.	Description
A:	4	Rear Spacer Bars
B:	5	Front Spacer Bars
C:	8	Racks
*	1	Bag of nails
*	1	Hardware Pack containing 2 angle brackets 2 plastic anchors 2 1" #8 screws 2 3/4" #6 screws

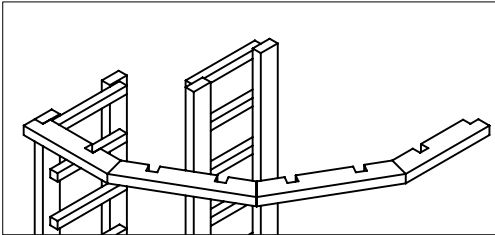


Step 1: Attach (9) spacer bars to racks with nails

Nail the nails into each spacer bar where a notch joins a rack. Attach the back spacer bars, then the front spacer bars.

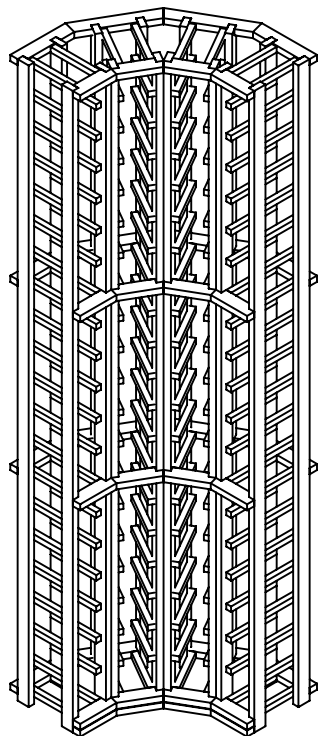
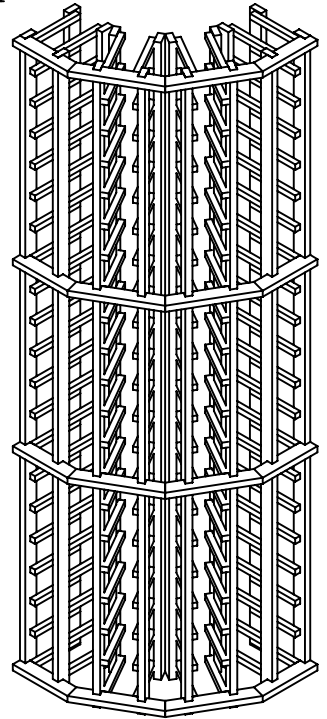
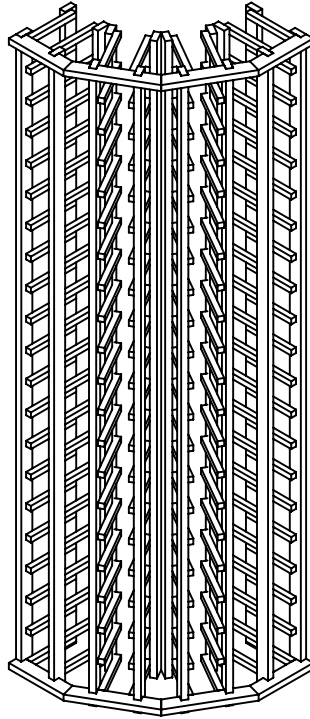
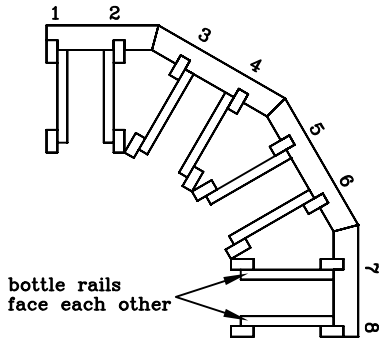
Note: 2 spacer bars are stacked on the bottom front.

NOTE: 1 side of front spacer bars will have exposed staples. Attach so the staples are in the least visible position.



Spacer bar at top should be even with top of rack, spacer bar at bottom should be even with bottom of rack. Attach 1 rack at end of spacer bar repeat with remaining racks around to other end, make sure bottle rails on each set of racks face each other (see below).

attach in following order:

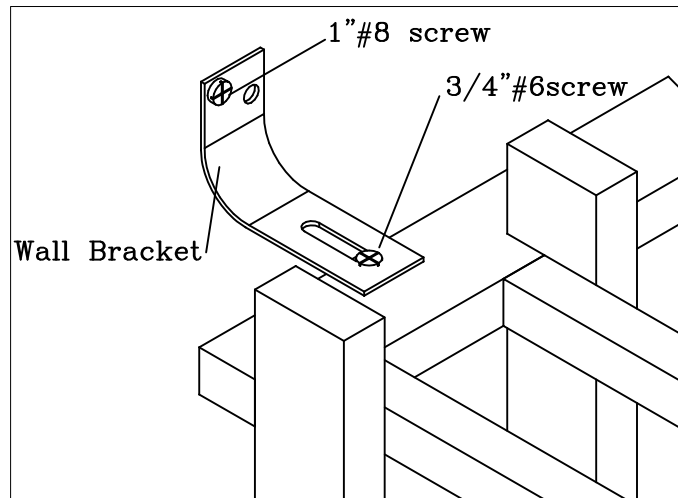


Wine Rack is Complete

Note: Always remove bottles before moving rack.

Final Step

Securing to wall



Secure rack to wall by attaching wall brackets to top back spacer bar or solid top. You will have 1 bracket on the left and 1 on the right.

Wine Rack is Complete

Note: Always remove bottles before moving rack.