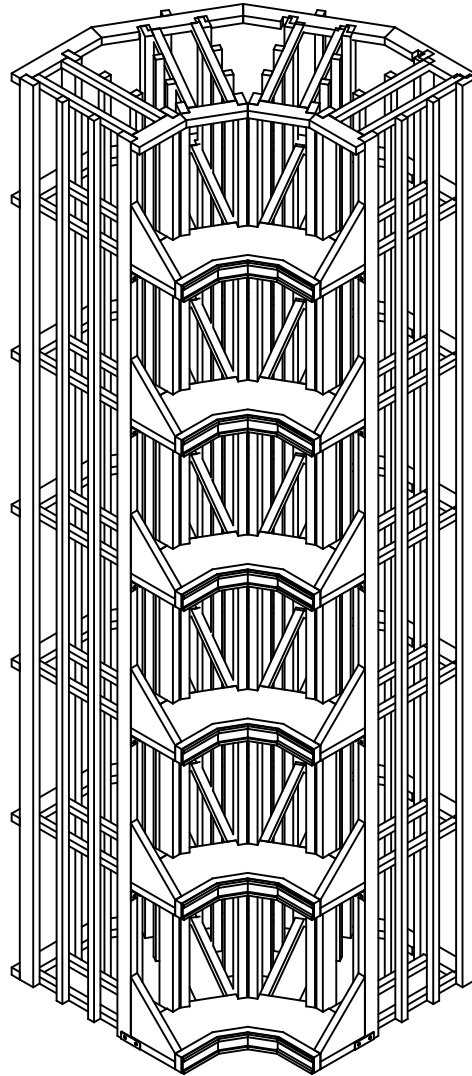


Commercial Display Racking

Rev. 4/16/10

Angled Curve Corner Display



Thank you for your purchase from Wine Cellar Innovations. In the manufacturing and packaging of your products numerous people have reviewed your order for accuracy and attention to detail. We believe this focus is what has made us the worldwide leader in wine storage products.

When assembling the products, please refer to the instructions provided and follow them closely. Always pre-drill pieces any time a screw will be used as a fastener. Redwood is a soft and beautiful wood species, but will split like all other wood types if placed under unusual stresses. The cellar has been engineered with the weight of the bottles factored into the layout, and will be capable of sustaining loads far greater than this when assembled correctly.

If you happen to break a piece during installation we will replace it for free. In such a situation, feel free to contact us Monday through Friday between 8am and 5pm Eastern time.

Wine Cellar Innovations
4575 Eastern Avenue
Cincinnati, Ohio 45226

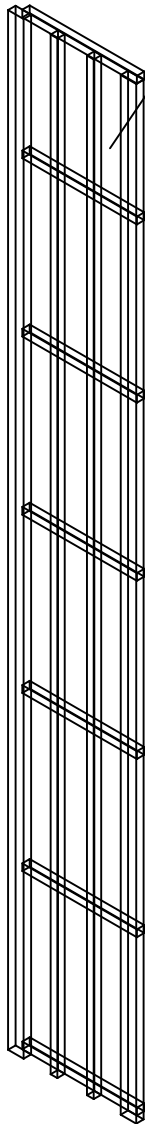
Phone: (800) 229-9813
Fax: (513) 979-5280
www.winecellarinnovations.com

Angled Curve Corner Display Parts List

Rev. 4/16/10

Qty.	Description
8	Racks
2	1x1's
7	Rear Spacer Bars
1	Front Spacer Bar
6	Spacer Bar Display Shelves
12	3"#8 Screws
15	1" Corner Brace
2	2"Connecting Bracket (mending plate)
34	3/4"#6 Screw
1	Bag of nails
1	Hardware Pack containing 2 angle brackets 2 plastic anchors 2 1"#8 screws 2 5/8"#6 screws

Note: top opening is slightly smaller

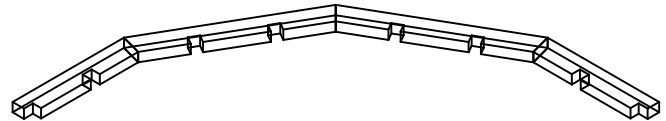


Racks

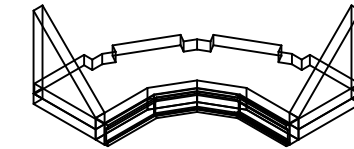
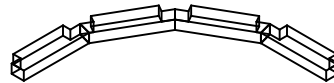


1x1

Rear Spacer Bars



Front Spacer Bar

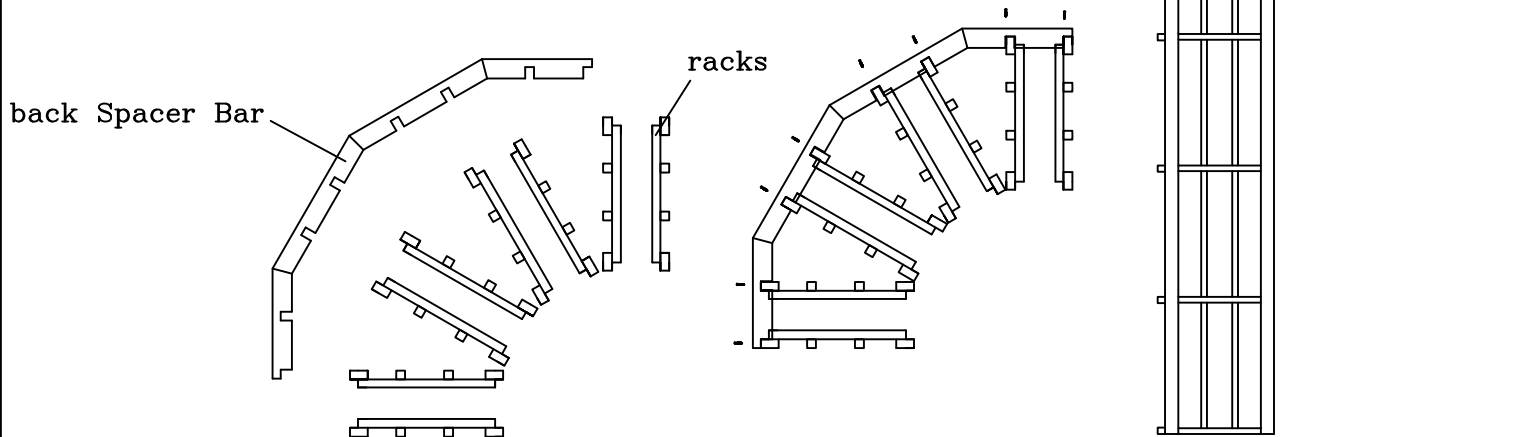


Spacer Bar Display Shelves

**** Optional pricetrack shown ****

Step 1:

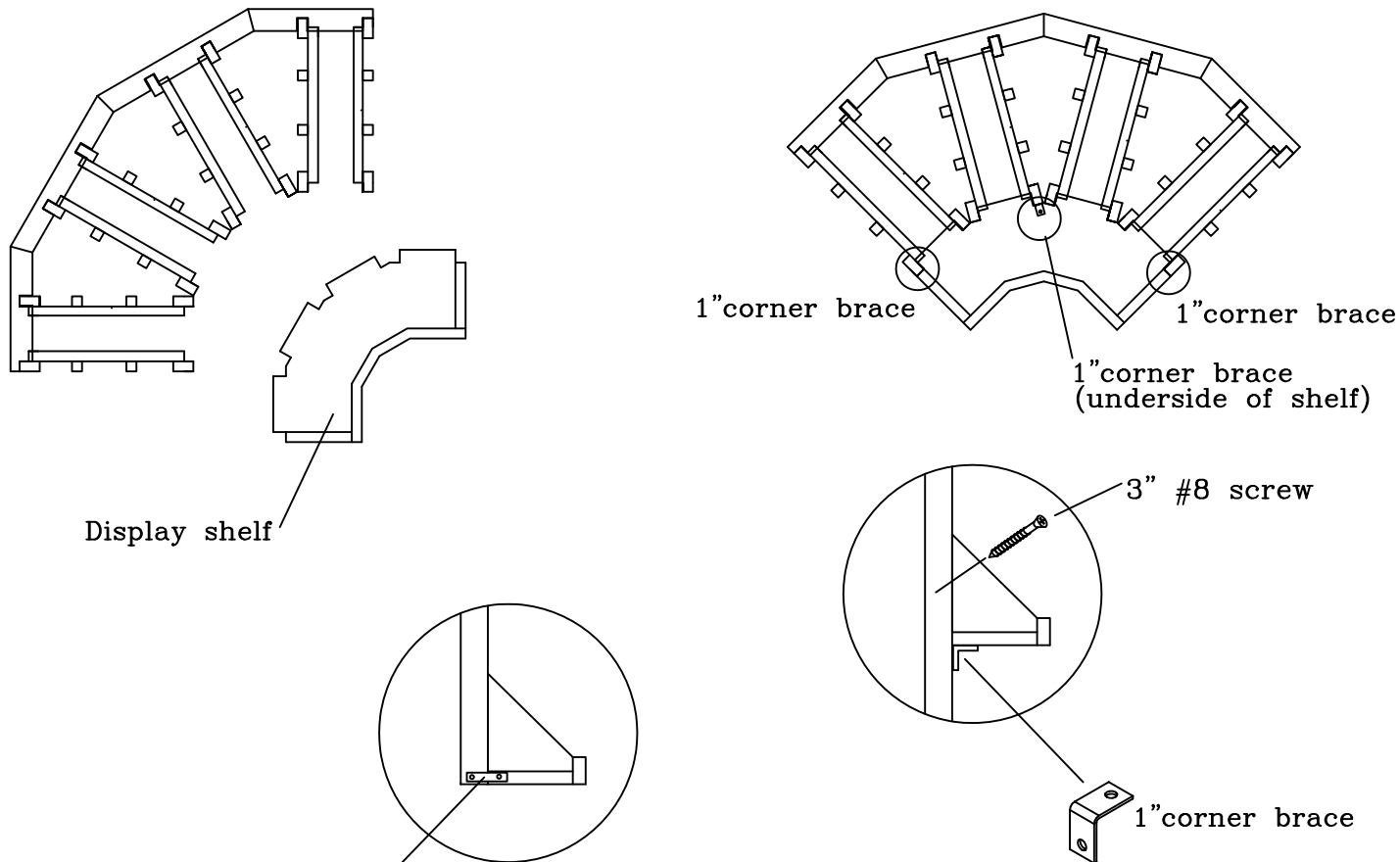
Attach (7) back spacer bars to racks with nails. Nail through each notch on spacer bars into posts with provided nails or with a brad nailer.



Step 2:

Attach display trays by screwing through predrilled holes in triangular supports using 3" #8 screws. Posts must be predrilled first using a 1/8" drill bit.

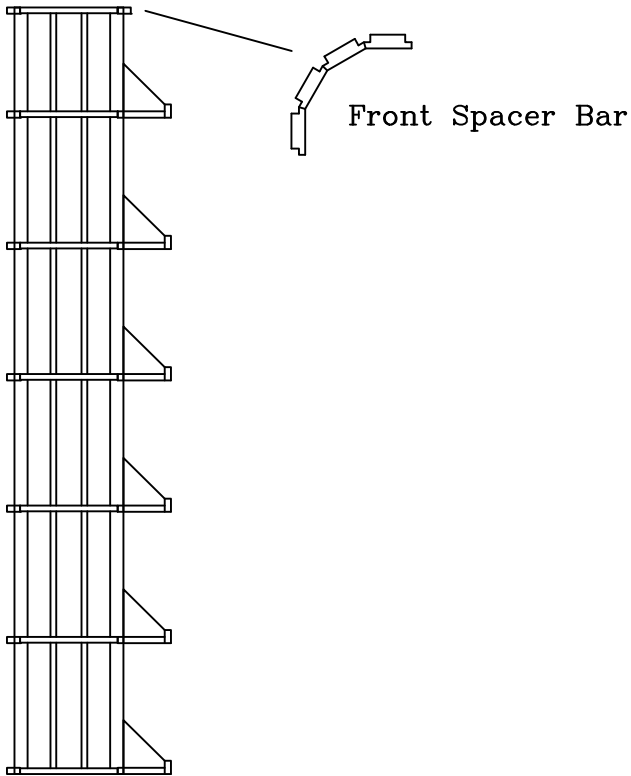
Attach 1" corner brace on ends below triangular support, and under center of shelf with 3/4" #6 screws.



attach 1 connecting bracket to each end of bottom shelf using 3/4" #6 screws.

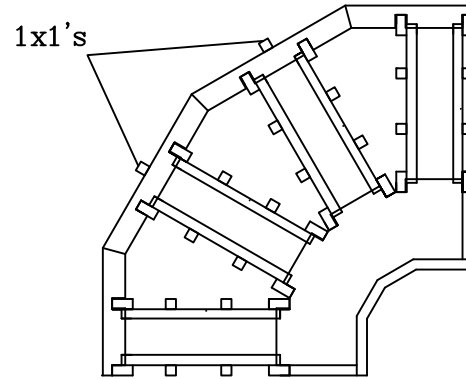
Step 3:

Attach front spacer bar by Nailing through each notch in spacer bar into posts.



Step 4:

Nail a 1x1 to each rear spacer bar in line with the middle 2 columns. This will prevent bottles from falling through.

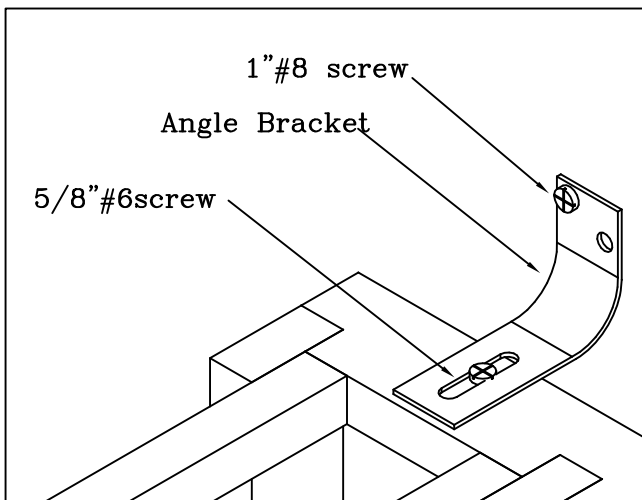


Angled Curve Corner Display assembly now complete.

Always remove bottles before moving racks.

Step 5: (Optional)

Secure rack to wall by attaching angle brackets to top back spacer bar. You will have 1 bracket on the left and 1 on the right.



Wine Cellar Innovations

4575 Eastern Avenue
Cincinnati, Ohio 45226

Phone: (800) 229-9813

Fax: (513) 979-5280

www.winecellarinnovations.com