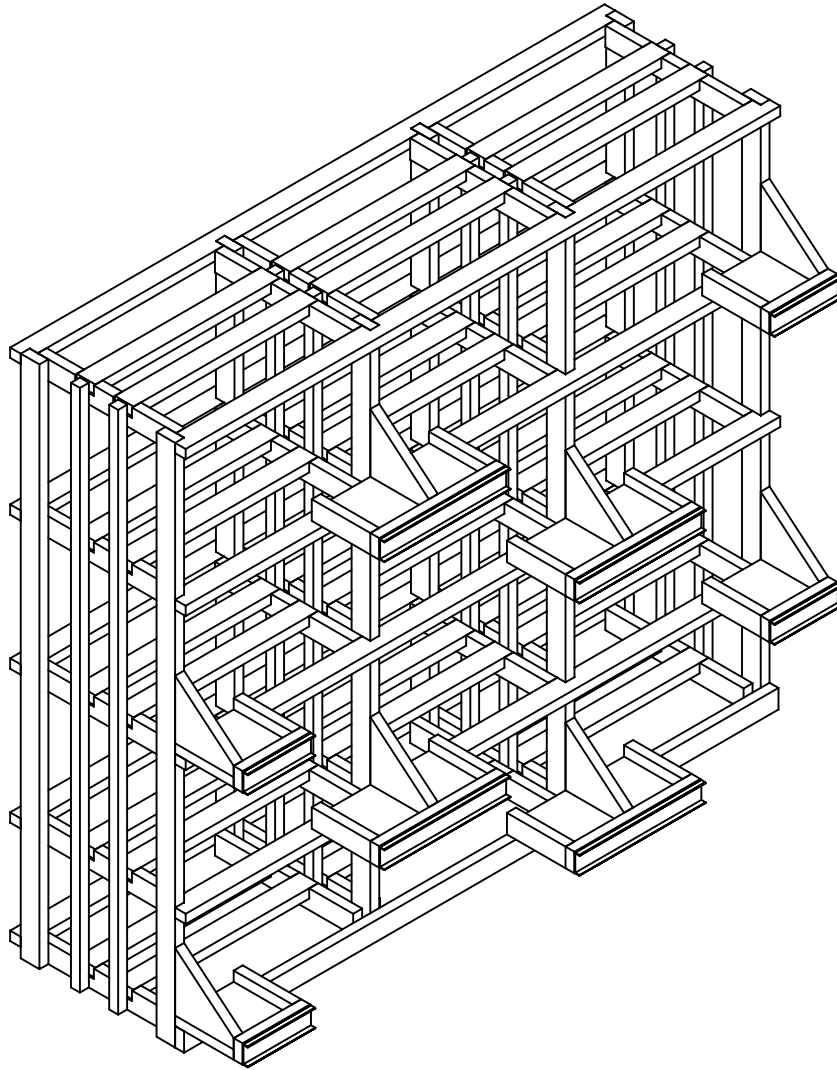


Commercial Display Racking

Rev. 7/8/10

Half Height Bin Display



Thank you for your purchase from Wine Cellar Innovations. In the manufacturing and packaging of your products numerous people have reviewed your order for accuracy and attention to detail. We believe this focus is what has made us the worldwide leader in wine storage products.

When assembling the products, please refer to the instructions provided and follow them closely. Always pre-drill pieces any time a screw will be used as a fastener. Redwood is a soft and beautiful wood species, but will split like all other wood types if placed under unusual stresses. The cellar has been engineered with the weight of the bottles factored into the layout, and will be capable of sustaining loads far greater than this when assembled correctly.

If you happen to break a piece during installation we will replace it for free. In such a situation, feel free to contact us Monday through Friday between 8am and 5pm Eastern time.

Wine Cellar Innovations
4575 Eastern Avenue
Cincinnati, Ohio 45226

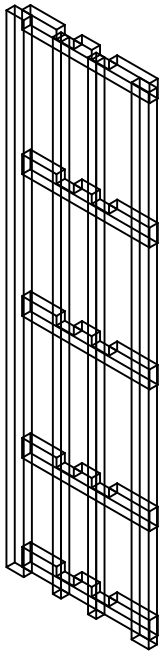
Phone: (800) 229-9813
Fax: (513) 979-5280
www.winecellarinnovations.com

Half Height Bin Display

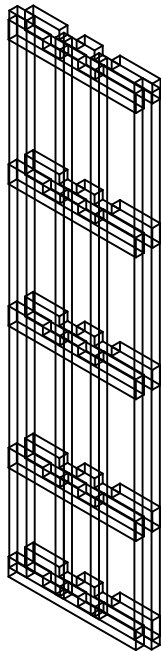
Parts List

#	Qty.	Description
A	2	Rack- Ends
B	2	Rack- Doubles
C	1	Sq. Cut Base- 1 7/16x 45 11/16
D	9	Spacer Bars- 45 11/16
E	30	Slats- 14 1/4
F	2	X-Braces- 44"
G	2	Display trays- Left
H	4	Display trays- Double
I	2	Display trays- Right
*	8	1 1/2" #8 Screw
*	14	1" #8 Screws
*	10	3" #8 Screws
*	1	Bag of Nails
*	1	Hardware Pack containing 2 angle brackets 2 plastic anchors 2 1" #8 screws 2 5/8" #6 screws

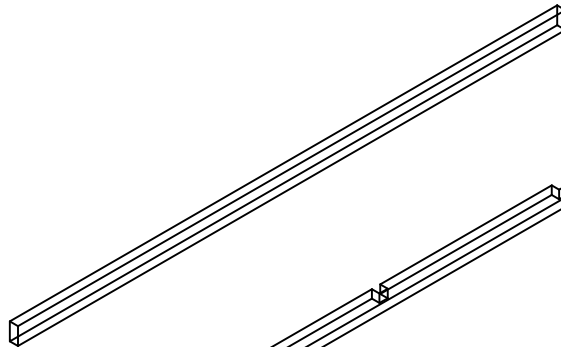
A



B



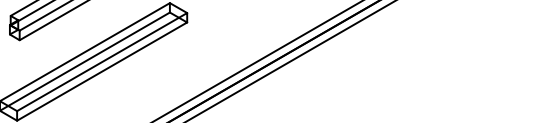
C



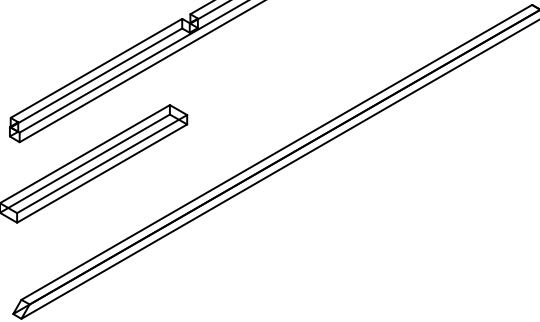
D



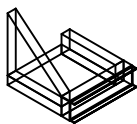
E



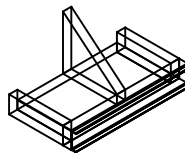
F



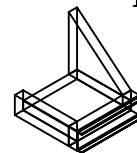
G



H

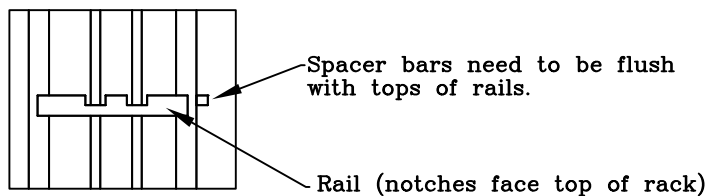
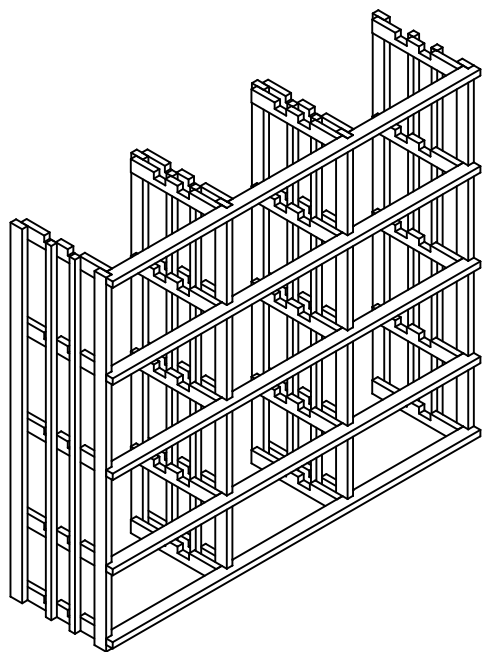


I

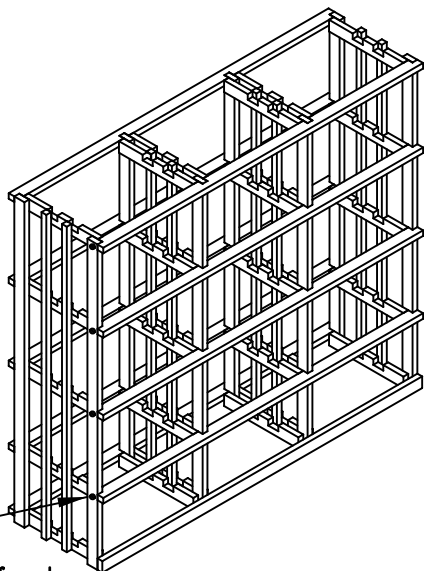


** Optional pricetrack shown on parts G, H & I **

1. Attach (5) spacer bars to the back of left, right, and double Racks with nails.
Nail through each notch in spacer bar into posts. This can be done with the provided nails or with a brad nailer.



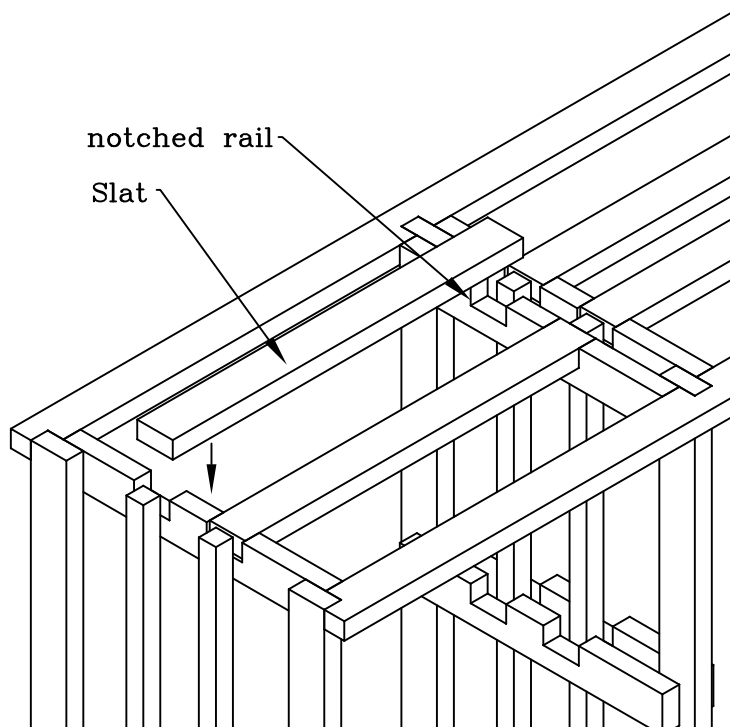
2.
 - a. Attach (4) spacer bars to front of rack with nails.



- b. Screw through front end posts into all front spacerbars on left and right side of rack with $1\frac{1}{2}$ " #8 screws. Pre-drill wood first with a $\frac{1}{8}$ " drill bit.

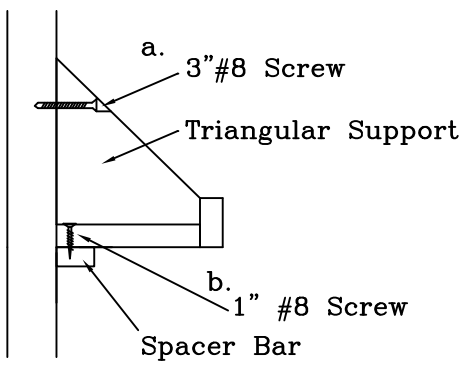
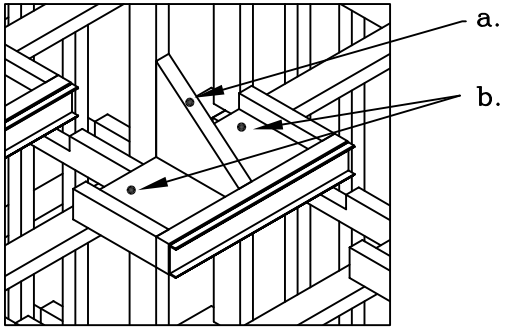
- c. Attach sq. cut base to bottom of racks.

3. Place the slats into notched rails on the racks.

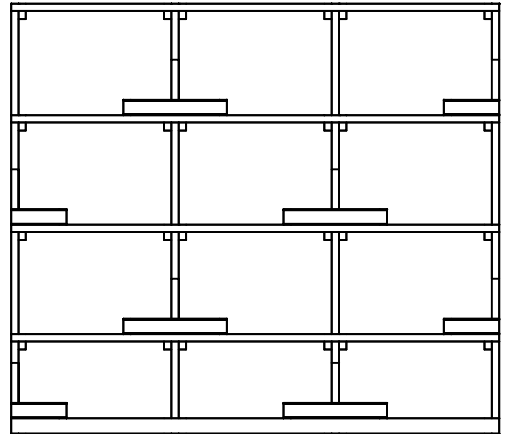


4. Attach display trays to front of racks
- screw through pre drilled hole in triangular support into rack post.
 - screw through pre drilled hole(s) in shelf into spacer bar.

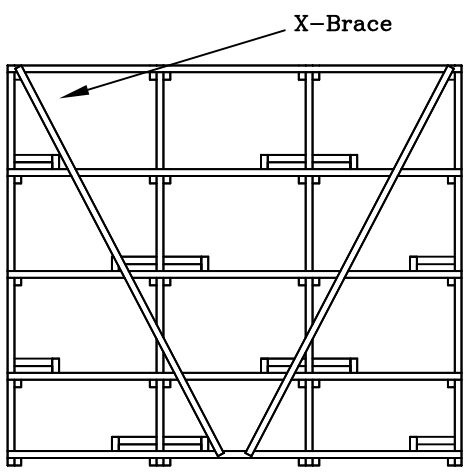
NOTE: Racks and spacer bar should be drilled with a 1/16" bit before screwing display trays on.



suggested display placement

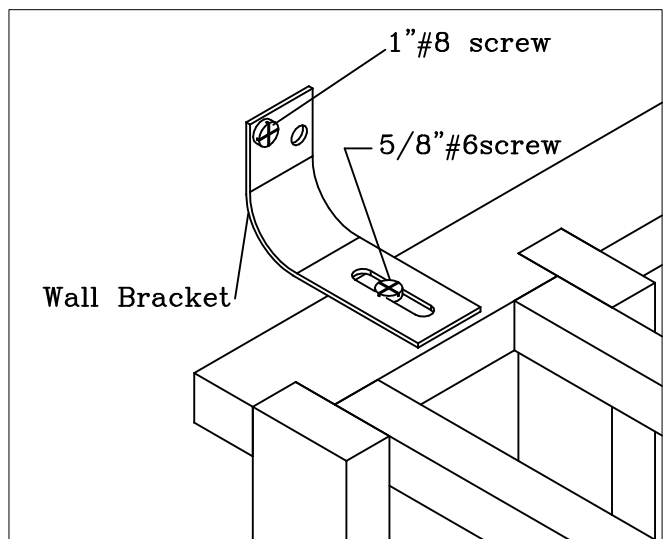


5. Nail X-braces to back spacer bars on freestanding racks. You do not need use the x-braces if attaching directly to wall.



Optional

Attach racks to wall with wall brackets



Secure rack to wall by attaching wall brackets to top back spacer bar. You will have 1 bracket on the left and 1 on the right.

Premium Clear Bin Display assembly complete.