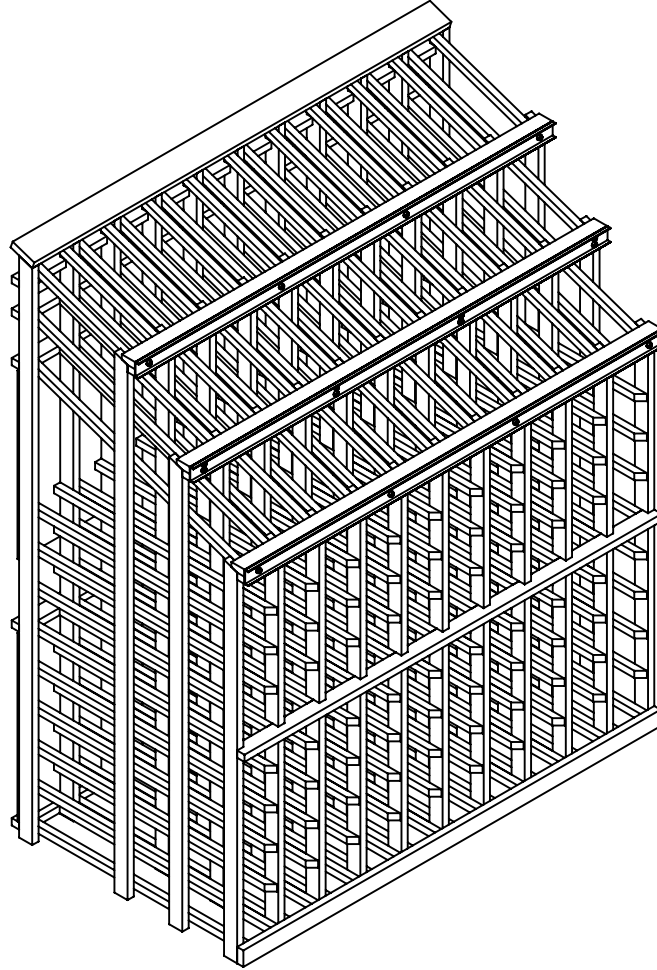


Commercial Display Racking

Triple Tier Merchandiser

Rev. 7/8/10



Thank you for your purchase from Wine Cellar Innovations. In the manufacturing and packaging of your products numerous people have reviewed your order for accuracy and attention to detail. We believe this focus is what has made us the worldwide leader in wine storage products.

When assembling the products, please refer to the instructions provided and follow them closely. Always pre-drill pieces any time a screw will be used as a fastener. Redwood is a soft and beautiful wood species, but will split like all other wood types if placed under unusual stresses. The cellar has been engineered with the weight of the bottles factored into the layout, and will be capable of sustaining loads far greater than this when assembled correctly.

If you happen to break a piece during installation we will replace it for free. In such a situation, feel free to contact us Monday through Friday between 8am and 5pm Eastern time.

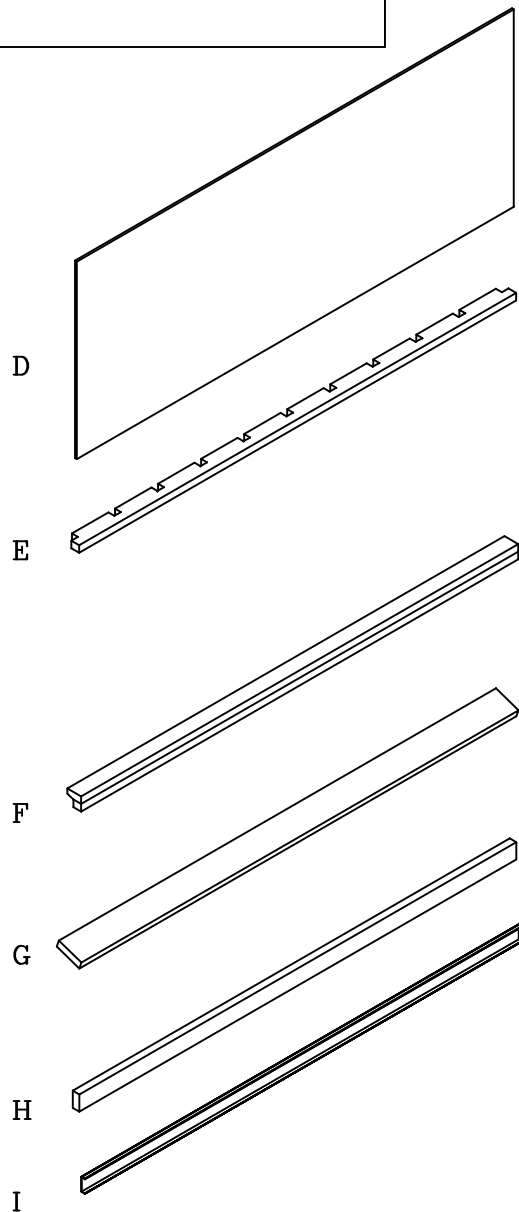
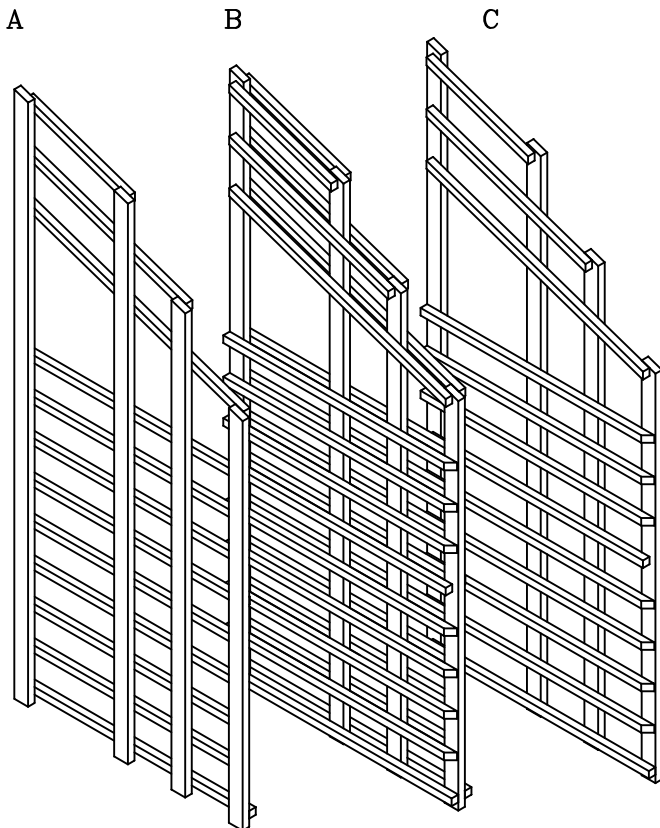
Wine Cellar Innovations
4575 Eastern Avenue
Cincinnati, Ohio 45226

Phone: (800) 229-9813
Fax: (513) 979-5280
www.winecellarinnovations.com

Triple Tier Merchandiser

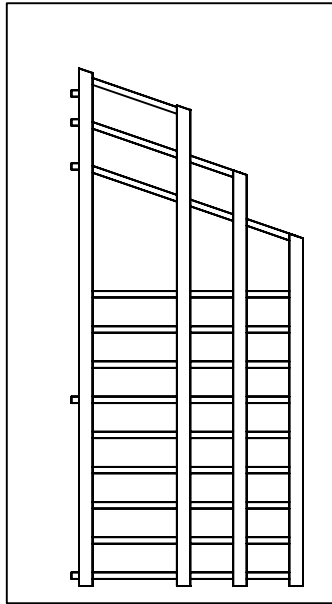
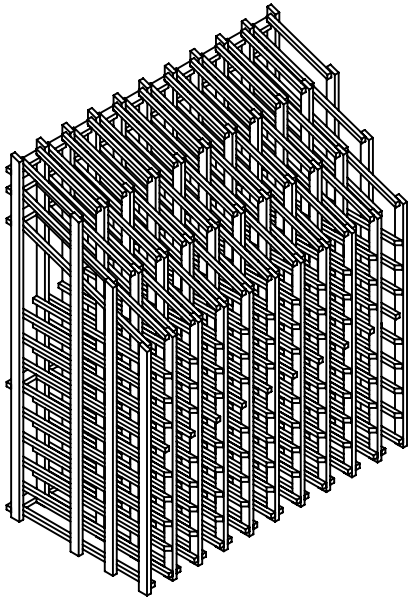
Parts List

#	Qty.	Description
A	1	Rack- Left
B	9	Rack- Doubles
C	1	Rack- Right
D	2	Plywood Backs- 45 11/16x 17 7/8
E	6	Spacer Bar- 45 11/16
F	3	Spacer Bar Bottle Stops- 45 11/16
G	1	Top Cap- 45 11/16
H	1	Sq. cut Base- 45 11/16
I	3	Price Tracks 45 11/16 (OPTIONAL)
*	4	1 1/2" #8 Screw
*	1	Bag of Nails
*	24	1 1/4" Ring shank nails
*	15	5/8" #6 screws for price track (OPTIONAL)
*	1	Hardware Pack containing 2 angle brackets 2 plastic anchors 2 1" #8 screws 2 5/8" #6 screws



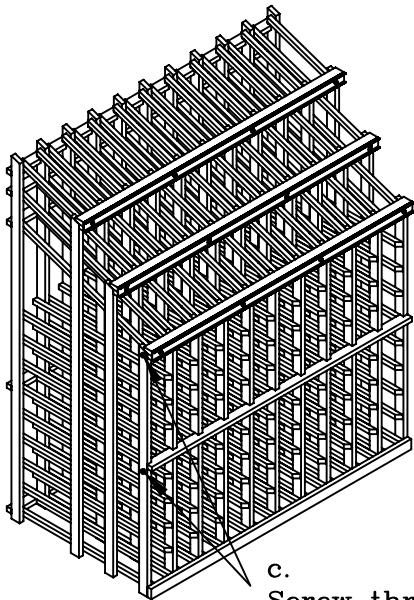
1.

Attach (5) spacer bars to the back of (1) left, (1) right, and (9) doubles with nails.
Top & bottom spacer bars should have a nail just on each end, and a middle notch, (1) middle spacer bar should have a nail in each notch. This can be done with the provided nails or with a brad nailer.

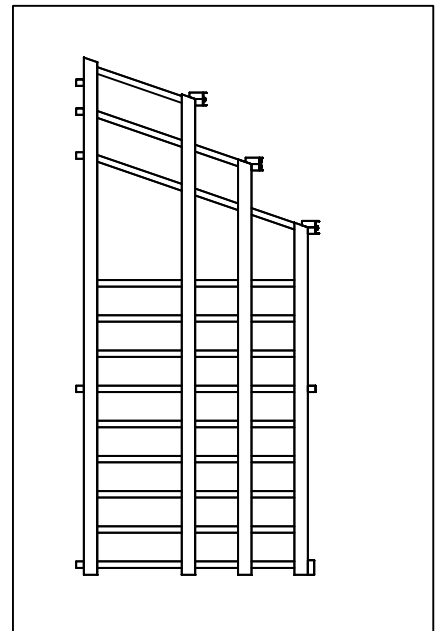


2.

a. Attach (3) spacer bar bottle stops and (1) spacer bar to front of (1) left, (1) right, and (9) doubles. nail through end notches and a middle notch.

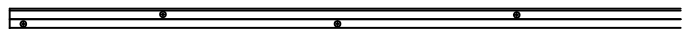


b. Nail sq. cut base to racks.



c. Screw through front end posts into spacerbars on left and right side of rack with 1 1/2" #8 screws. Pre-drill wood first with a 1/8" drill bit.

d. **** For optional pricetrack ****
Predrill pricetrack and spacerbar bottle stop with a 3/32" drill bit.
Attach price track to bottle stop with price track screws.

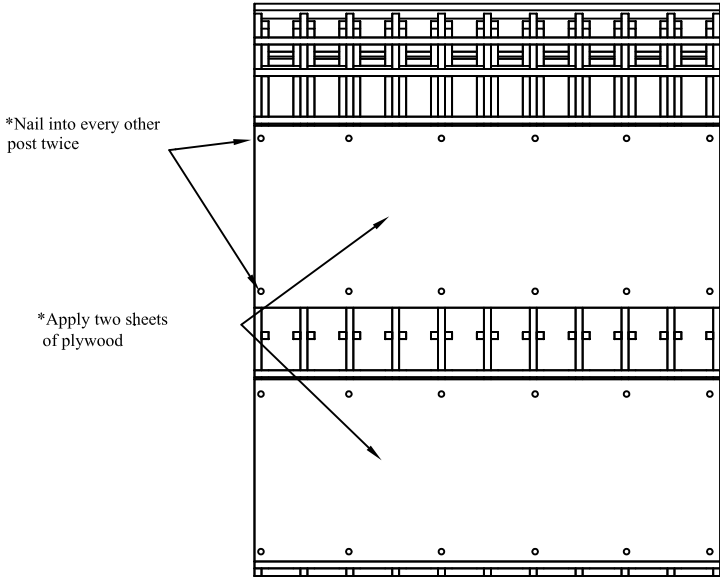


Stagger screws when attaching

3.

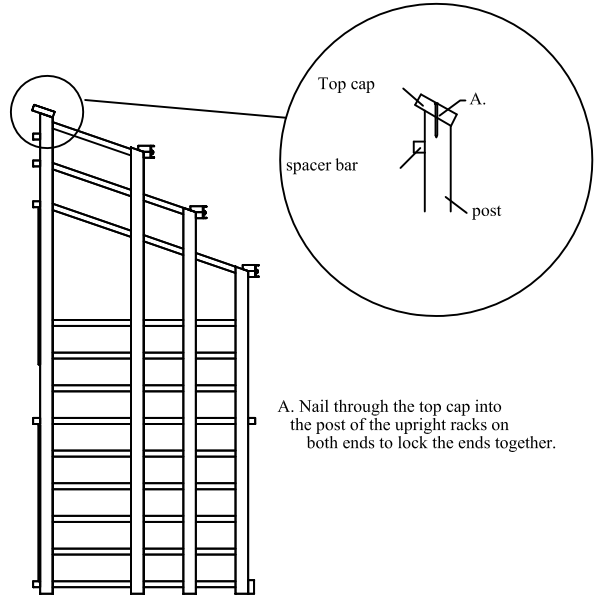
Apply the two sheets of plywood to the back of the racks just above the bottom and middle spacer bars.

Nail (2) 1 1/4" ring shank nails into ever other rack.



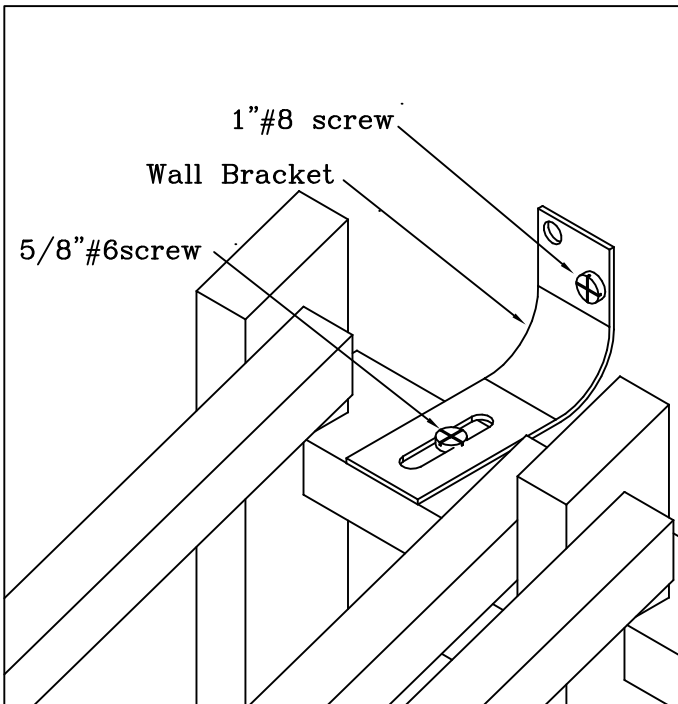
4.

Nail the top cap to top of the back post.



6. (Optional)

Secure rack to wall by attaching wall brackets to top back spacer bar. You will have 1 bracket on the left and 1 on the right.



Triple Tier Merchandiser Assembly now complete.

Always remove bottles before moving racks.

*Note: Above detail shown without top cap for clarity.

Wine Cellar Innovations
4575 Eastern Avenue
Cincinnati, Ohio 45226

Phone: (800) 229-9813

Fax: (513) 979-5280

www.winecellarinnovations.com