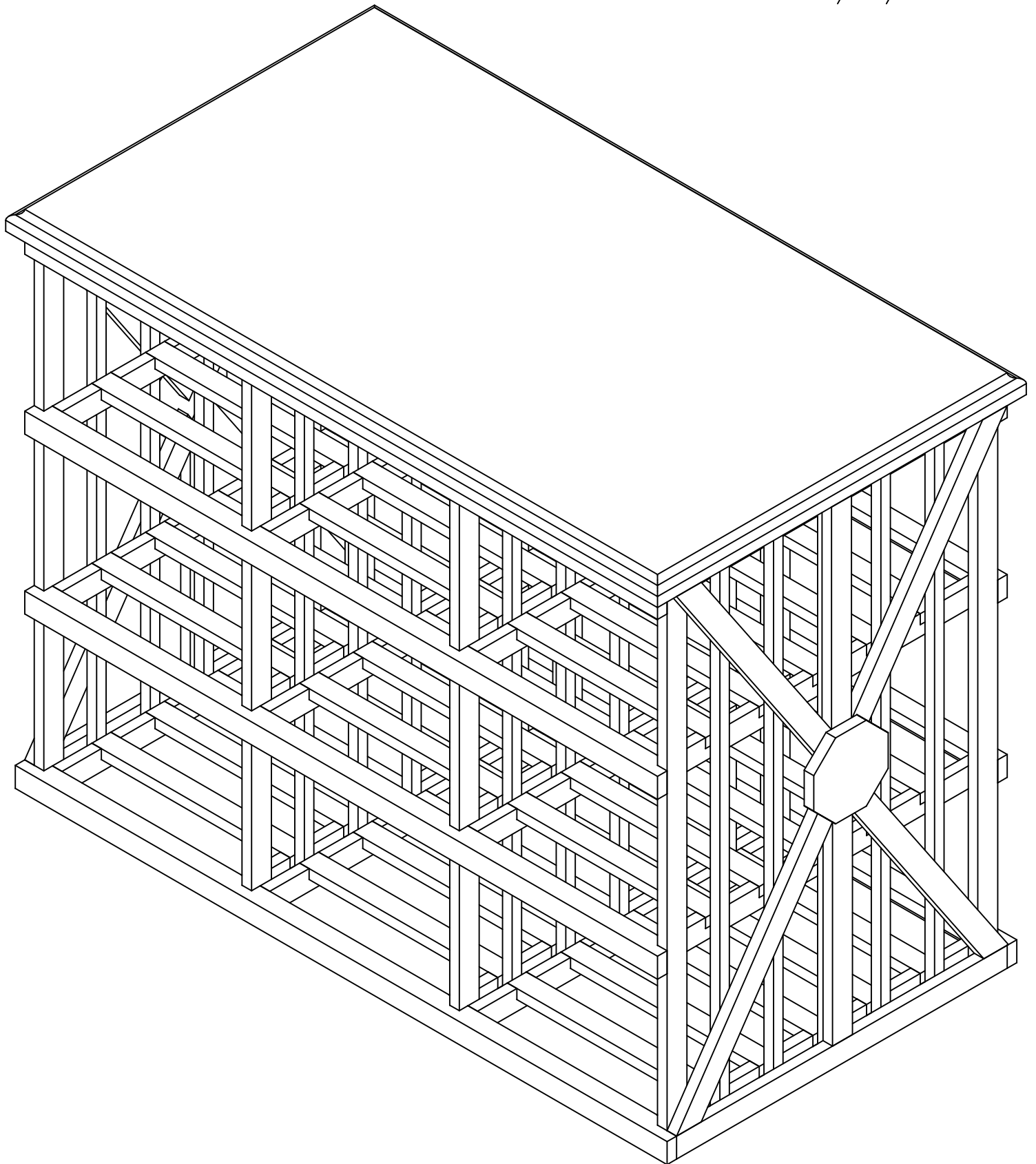


ATT216 Bottle Tasting Table

Rev. 4/22/08



Wine Cellar Innovations
4575 Eastern Avenue
Cincinnati, Ohio 45226

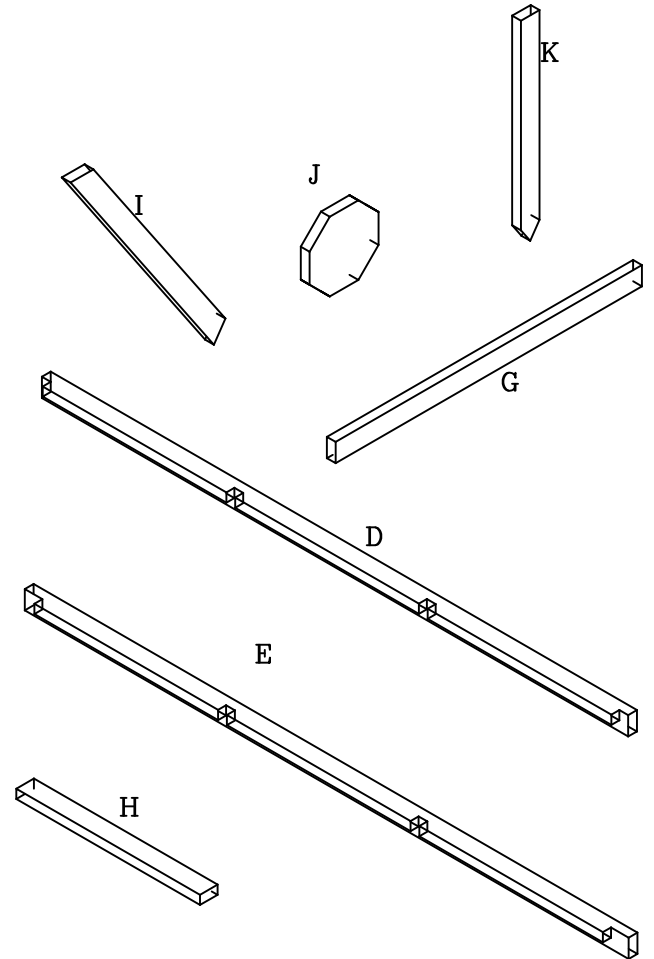
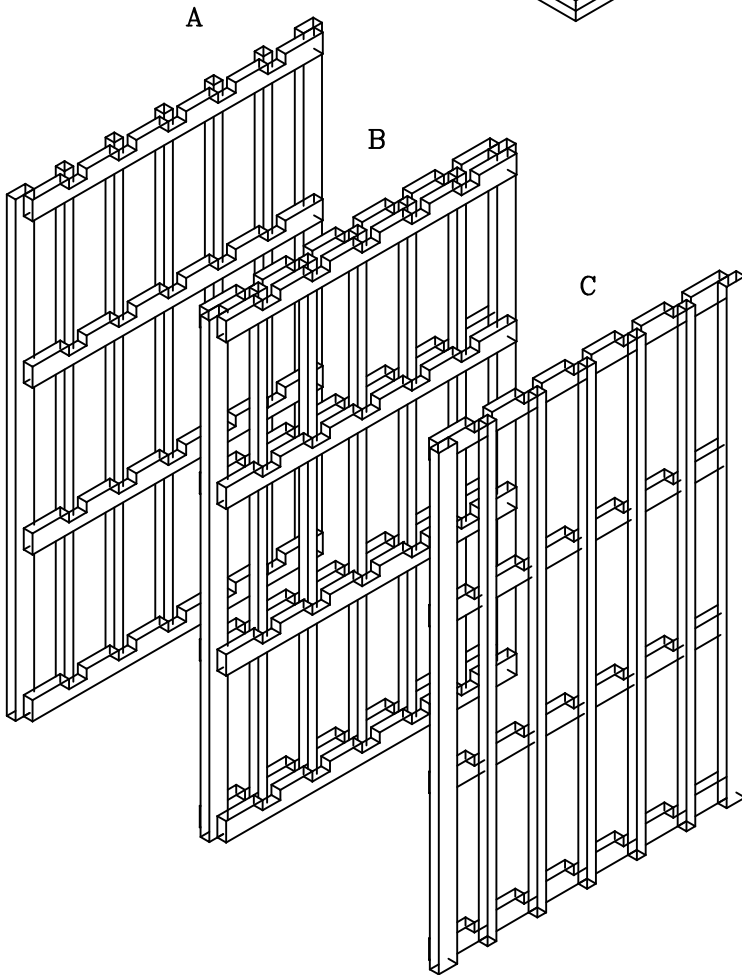
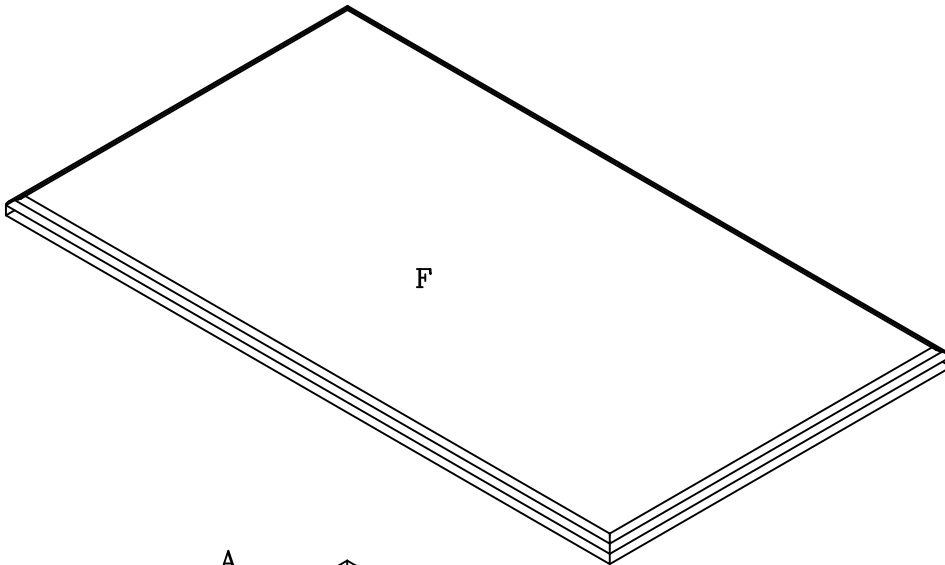
Phone: (800) 229-9813
Fax: (513) 979-5280
www.winecellarinnovations.com

ATT216 Bottle Table

Parts List

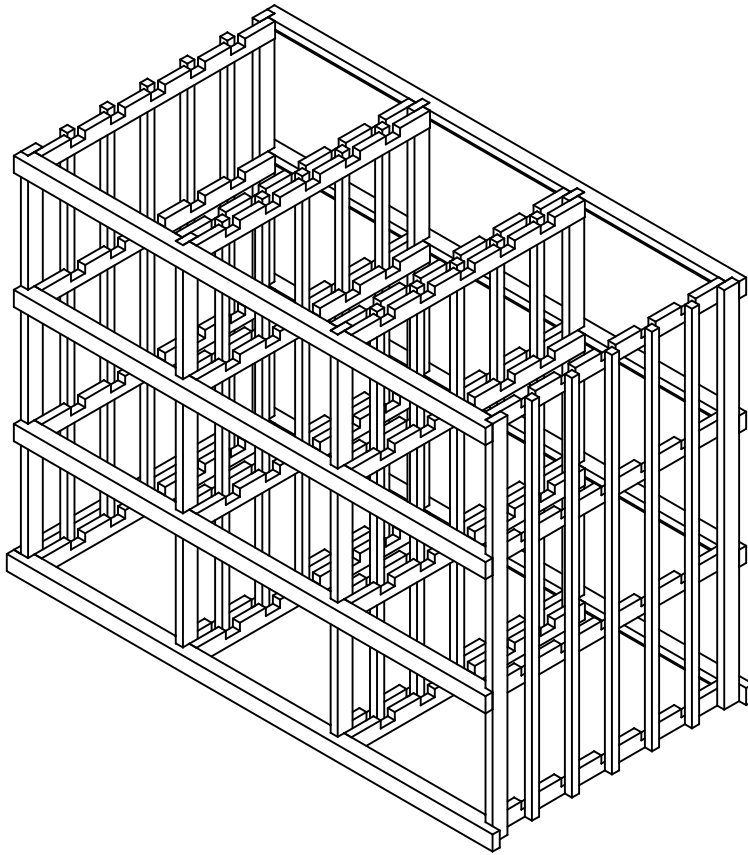
Rev. 4/22/08

#	qty.	description
A	1	Left
B	2	Doubles
C	1	Right
D	6	Spacer Bars
E	2	Spacer Bases
F	1	Table Top
G	2	Side Trim
H	60	1x2 slats
I	8	End Cross Piece
J	2	End Cap
K	4	End Piece
*	1	Bag of Nails
*	6	1" #8 Screw

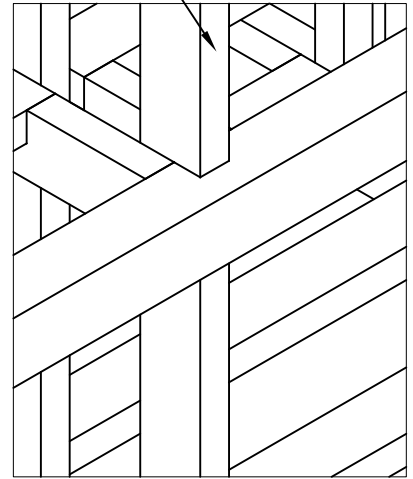


1. Attach (6) spacer bars and (2) spacer bases to the racks with nails.

Spacer bars and spacer bases should have a nail in each notch. This can be done with the provided nails or with a brad nailer.



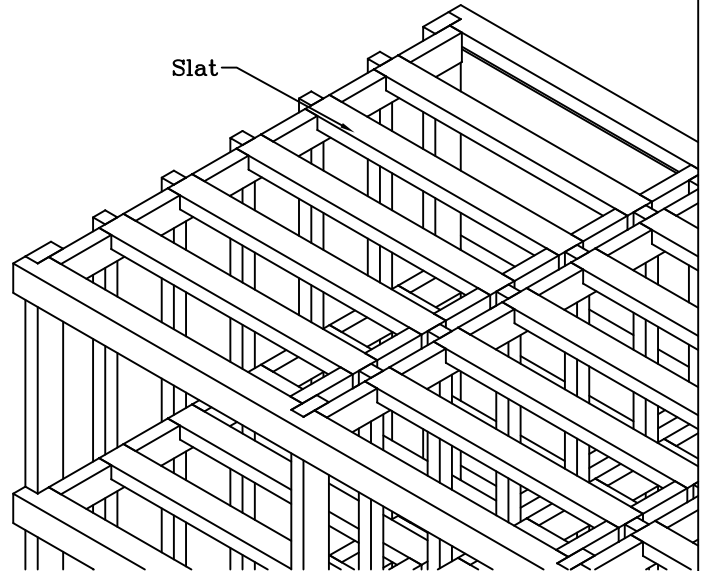
1x2 post



Spacer bases are slightly longer than the Spacer Bars and will be at the base of your table.

2. Place slats in grooves on racks.

Slat

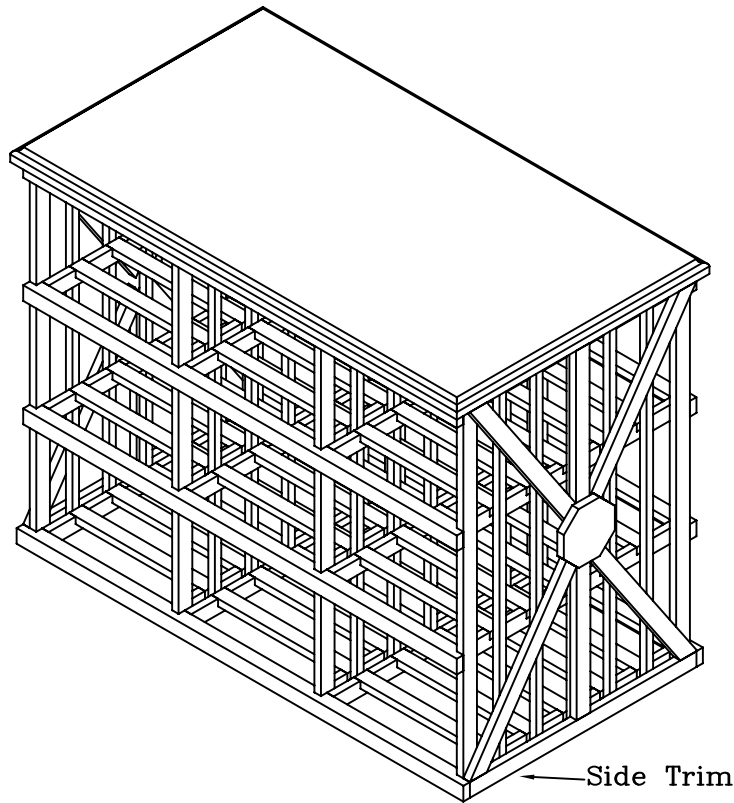


Note:

Slats are set in place.
(NO screws or nails are required.)

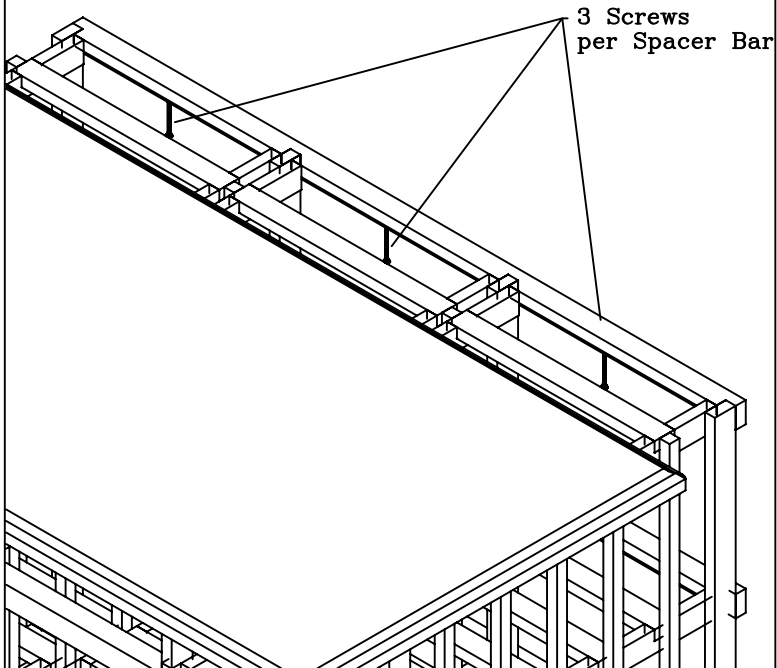
3.

- a. Attach side trim to bottom of racks by nailing through vertical posts.
- b. Nail end cross pieces and end pieces to the rack.
- c. Nail end cap to end pieces. Repeat b & c for other side.

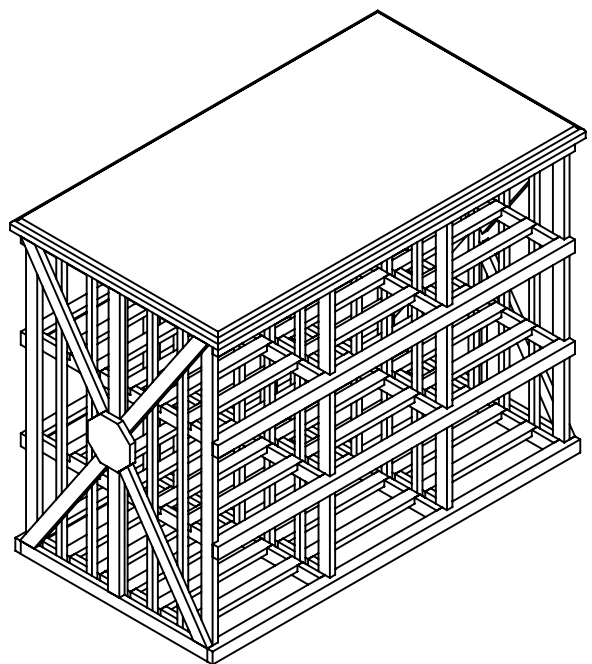


4.

- Attach table top to kit by screwing up through top spacer bars with (6) 1" #8 screws into table top.



Note: Pre-drill spacer bar with a 1/8" drill bit to reduce risk of splitting wood.



AT216 Bottle Table Assembly complete. Always remove all bottles before moving kit.

Phone: (800) 229-9813

Fax: (513) 979-5280

www.winecellarinnovations.com