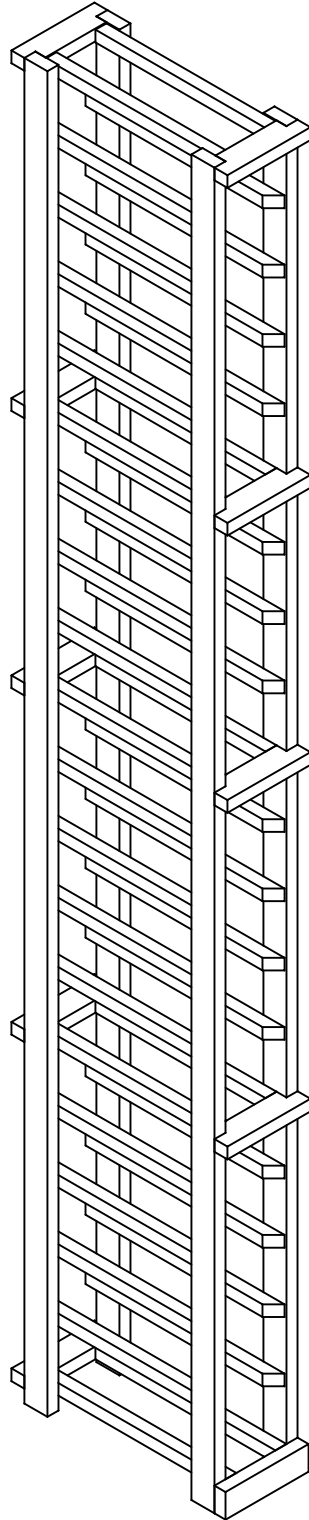


# Designer Series

Rev. 5/27/08

## Individual 1 Column



**Wine Cellar Innovations**  
4575 Eastern Avenue  
Cincinnati, Ohio 45226

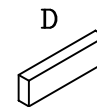
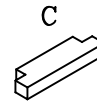
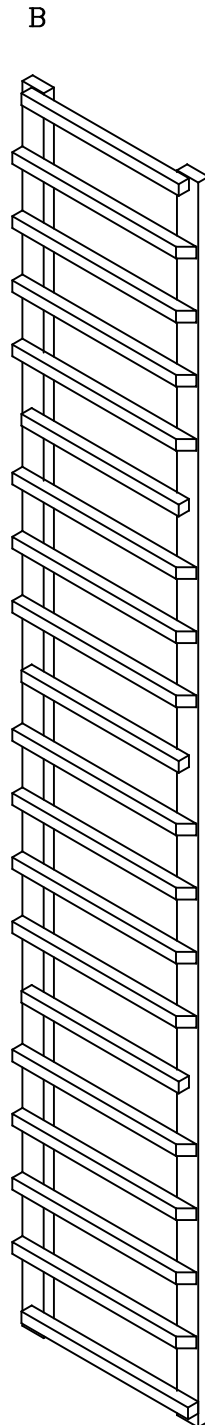
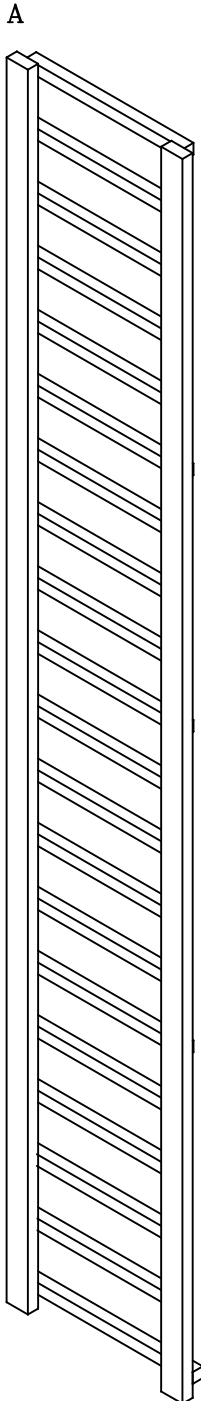
Phone: (800) 229-9813  
Fax: (513) 979-5280  
[www.winecellarinnovations.com](http://www.winecellarinnovations.com)

# Individual 1 Column

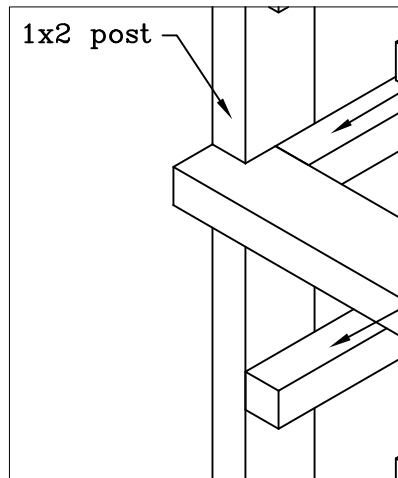
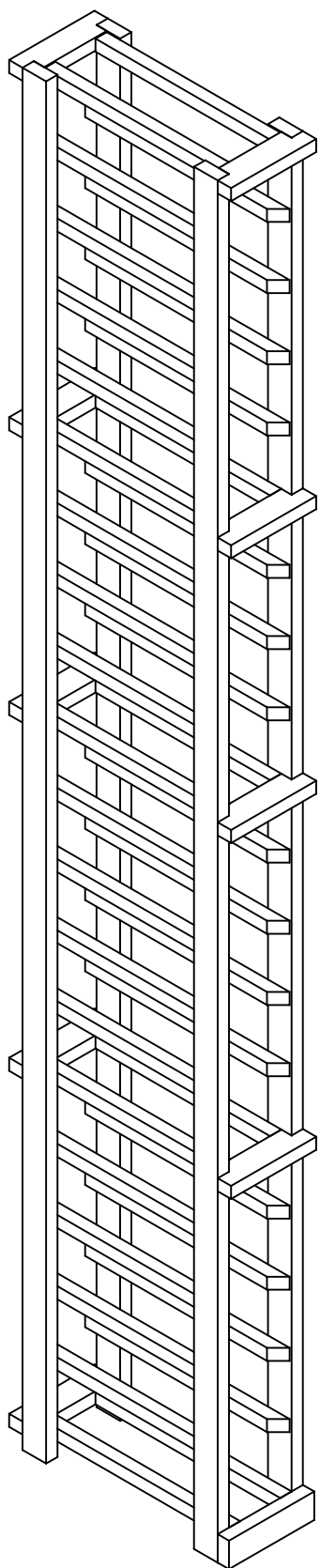
Rev. 5/27/08

## Parts List

#	qty.	description
A	1	Left
B	1	Right
C	9	Spacer bars
D	1	Sq. Cut Base
*	1	Bag of nails
*	1	Hardware Pack containing 1 angle bracket 1 plastic anchor 1 1" #8 screws 1 5/8" #6 screws



1. Attach (9) spacer bars to the racks with nails  
This can be done with the provided nails or with a brad nailer.



1x2 post

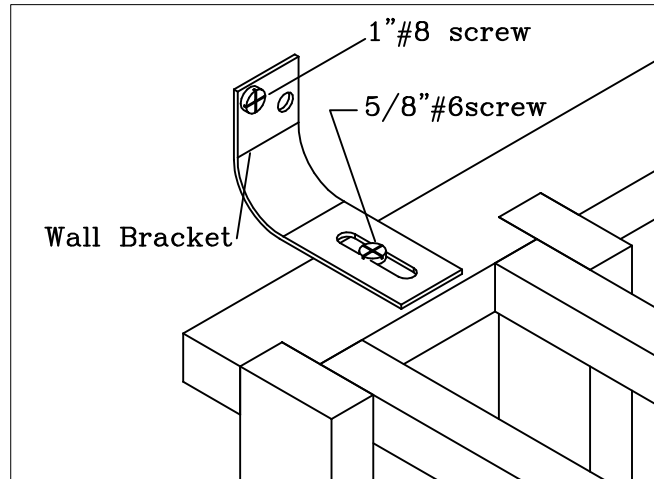
1x1 rails recessed  
to accept spacer bars.

1x1 rails between  
spacer bars are not  
recessed.

Attach sq. cut base

Note: sq. cut base will not be used  
if additional base kit is purchased

2.



Secure rack to wall by attaching wall brackets to top back spacer bar.

Individual 1 column  
assembly complete.

always remove bottles before moving racks.

**Wine Cellar Innovations**  
4575 Eastern Avenue  
Cincinnati, Ohio 45226

Phone: (800) 229-9813  
Fax: (513) 979-5280  
[www.winecellarinnovations.com](http://www.winecellarinnovations.com)