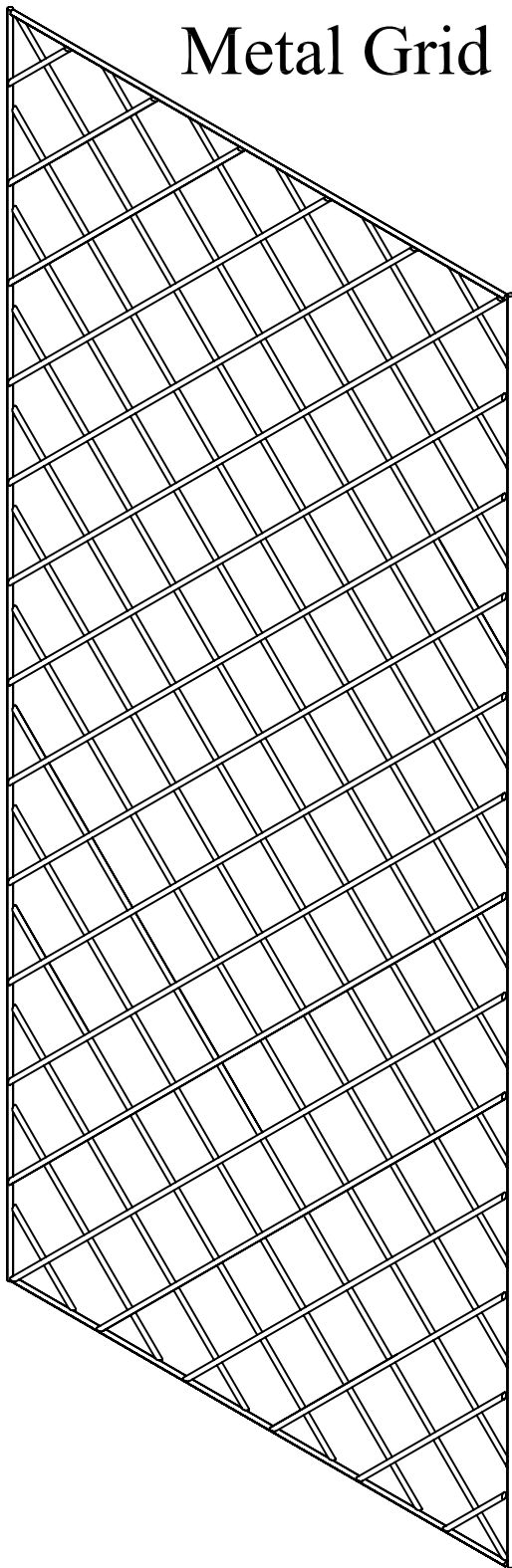
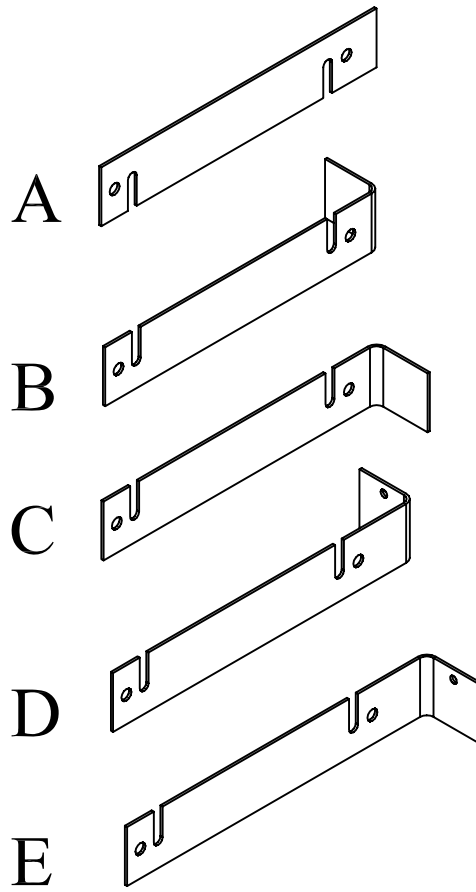


Diamond Metal Lattice



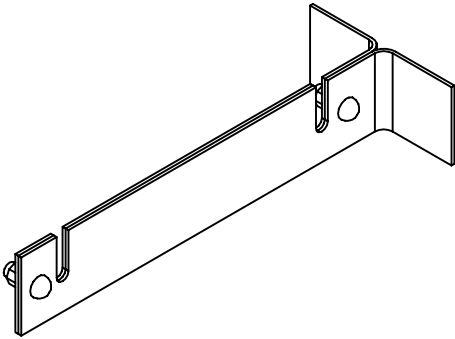
Metal Grid



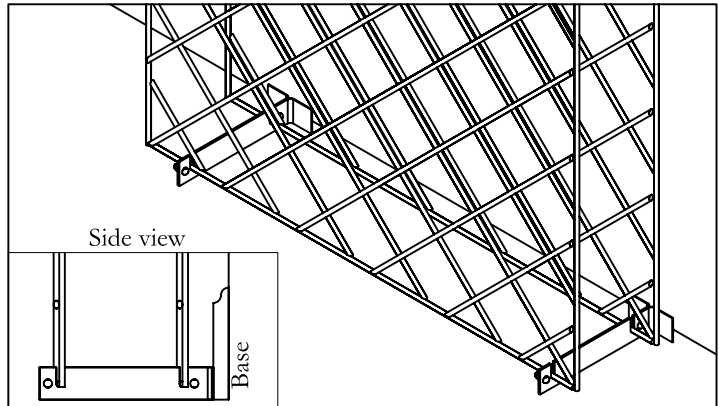
Parts List

- 2 Metal Grids
- 2 A Brackets
- 2 B Brackets
- 2 C Brackets
- 2 D Brackets
- 2 E Brackets
- 8 5/8" long 1/4" bolts
- 8 1/4" nuts
- 8 1/4" lock washers
- 4 wall anchors w/ screws

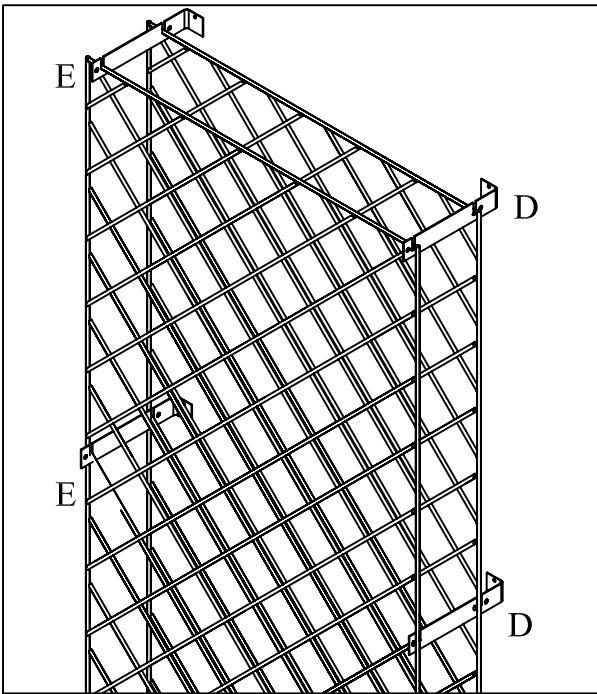
1. Bolt both pairs of B & C brackets together back to back.



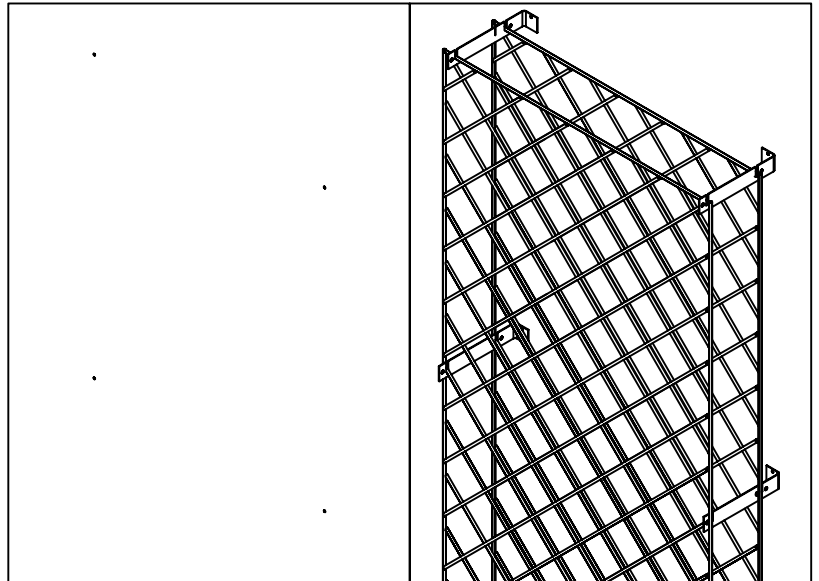
2. Place on floor about 27" from each other and flush to the base molding (leave a 3/4" gap if no molding is present). Place the grids in the notches.



3. Hold the D and E brackets in place, with notches facing up, and mark the mounting hole location on the wall with a pencil.



4. Remove the brackets and grids, drill where you marked with a pencil and insert anchors in the wall. Place brackets and grids back against wall as in step 3 and screw the brackets to the anchors.



5. Slide an A bracket beside the top E bracket and bolt together. Do the same for the top D bracket.

Rack is now complete. Fill with bottles and enjoy.

