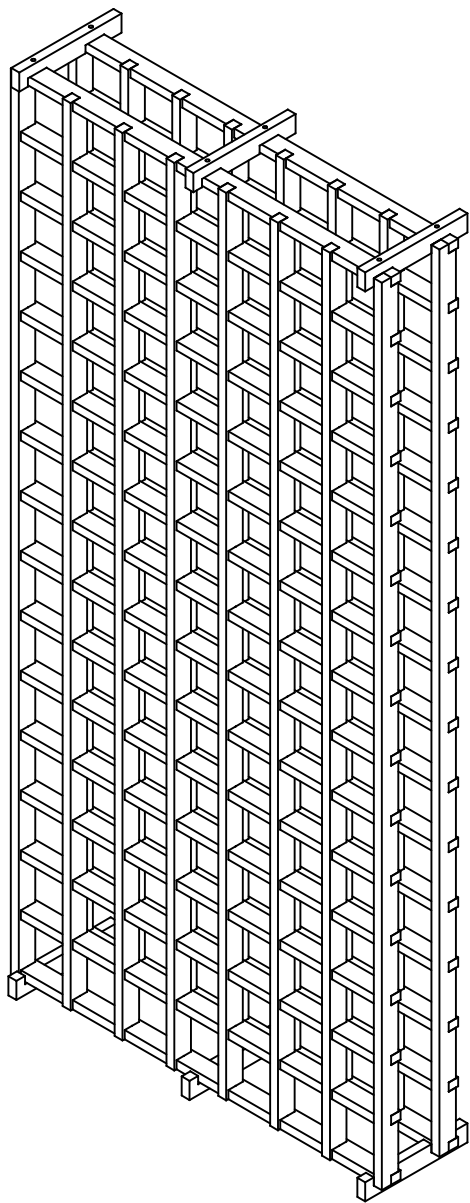


Mahogany 115 Bottle Grid

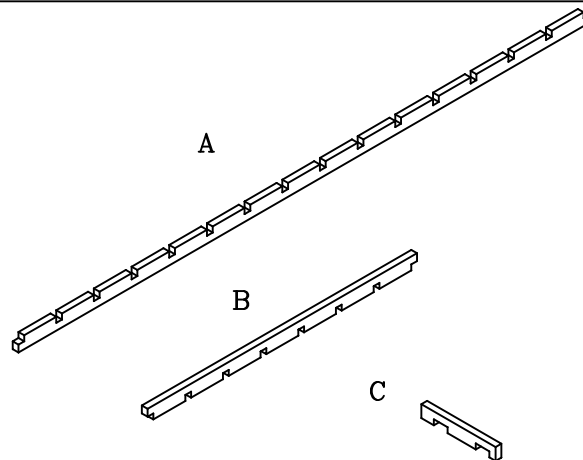
REV: 3/15/11



Parts List

A	16	Vertical Spacer Bars
B	32	Horizontal Spacer Bars
C	6	Grid Connectors
*	155	1 1/4" #6 Screws

1	Hardware Pack containing
	2 angle brackets
	2 plastic anchors
	2 1" #8 screws
	2 5/8" #6 screws



Thank you for your purchase from Wine Cellar Innovations. In the manufacturing and packaging of your products numerous people have reviewed your order for accuracy and attention to detail. We believe this focus is what has made us the worldwide leader in wine storage products.

When assembling the products, please refer to the instructions provided and follow them closely. Always pre-drill pieces any time a screw will be used as a fastener. The cellar has been engineered with the weight of the bottles factored into the layout, and will be capable of sustaining loads far greater than this when assembled correctly.

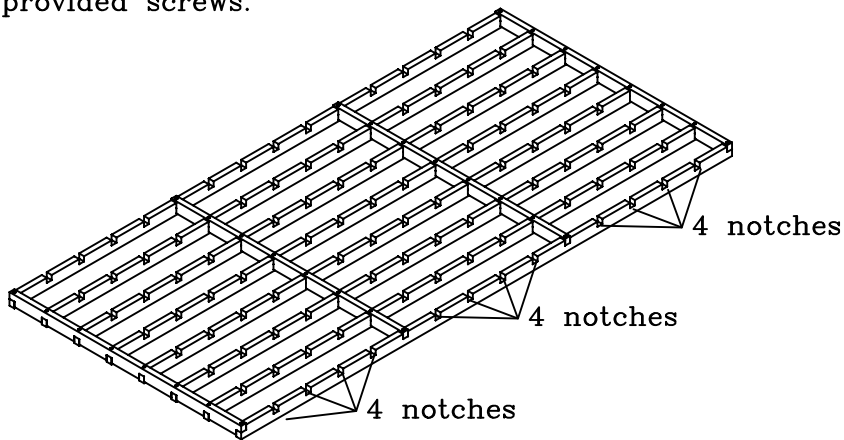
If you happen to break a piece during installation we will replace it for free. In such a situation, feel free to contact us Monday through Friday between 8am and 5pm Eastern time.

Wine Cellar Innovations
4575 Eastern Avenue
Cincinnati, Ohio 45226

Phone: (800) 229-9813
Fax: (513) 979-5280
www.winecellarinnovations.com

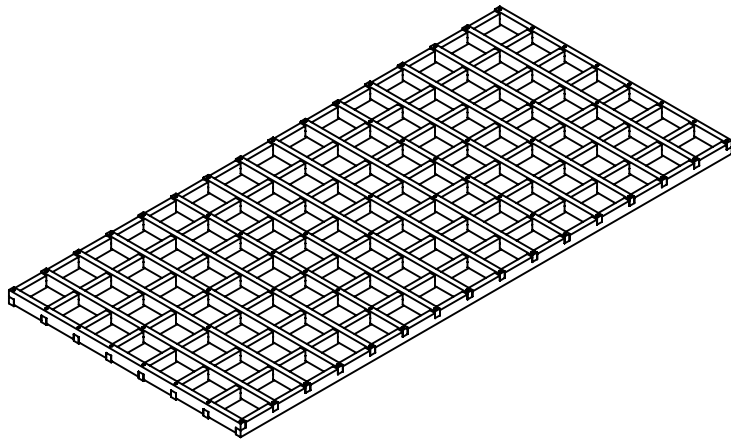
Step 1:

Place (8) vertical spacerbars on the floor with notches facing up. place (4) horizontal spacerbars with notches facing down in the locations detailed below. Drill through each intersection $1\frac{1}{4}$ " deep with a $\frac{3}{32}$ " drill bit. Then screw the interlocks together with the provided screws.

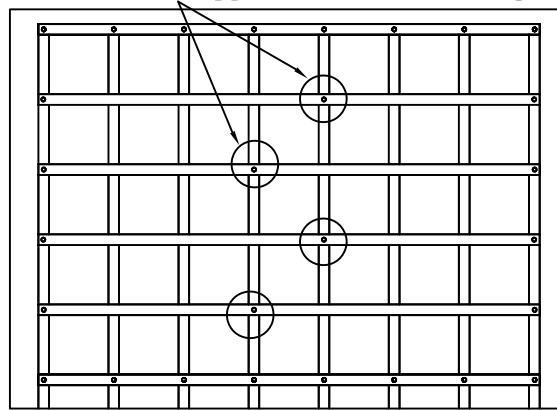


Step 2:

Place the rest of the horizontal spacerbars and repeat step 1 EXCEPT only drill the end notches and center notches in a staggered pattern as detailed below. Then repeat steps 1 & 2 for the other grid.



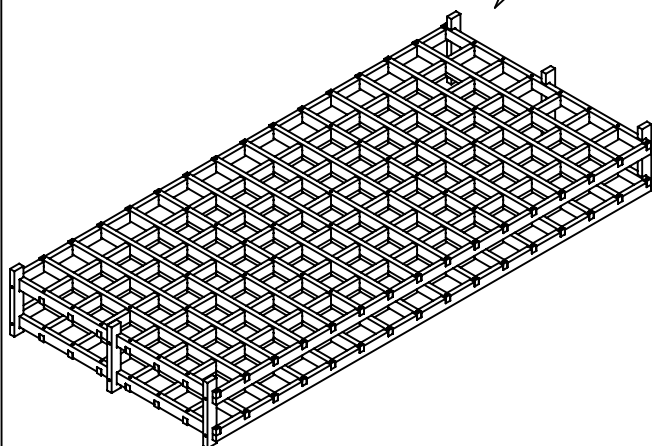
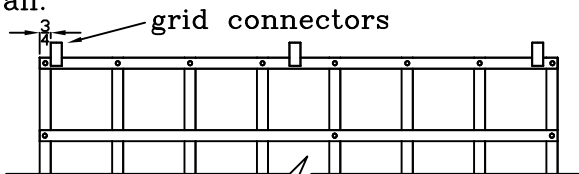
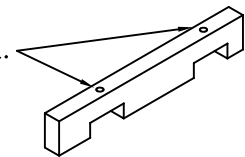
Middle screw holes should be staggered on 3-hole spacer bars.



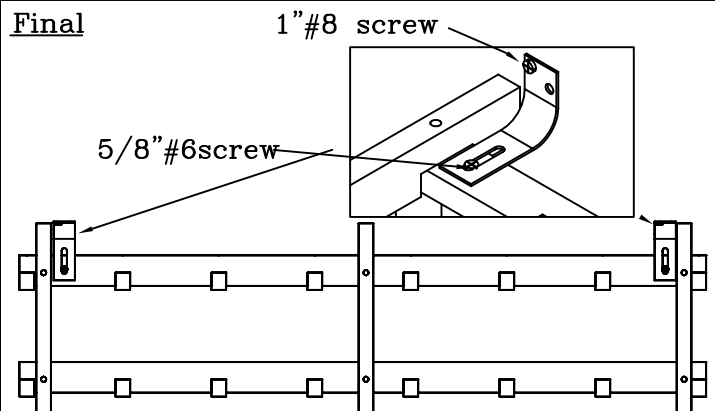
Step 3:

a. Drill a $\frac{3}{32}$ " or $\frac{1}{8}$ " hole in each grid connector centered on each notch.

b. Screw connectors to the grids as detailed below. The screw head side of the grids and the larger end of the connectors will face the wall.



Final



Attach angle brackets to top of unit with $5/8$ " #6 screw. Secure to wall with 1 " #8 screw.